



2-IN-1 ELECTRIC VACUUM + MULCHER

EN

13-AMP | 40 MPH MAX | 1036 CFM MAX

OPERATOR'S MANUAL

A Division of Snow Joe®, LLC

Model SBJ807E

Form No. SJ-SBJ807E-880E-M

IMPORTANT! Safety Instructions

All Operators Must Read These Instructions Before Use

Any electrical appliance can be dangerous if used incorrectly. Some of the safety precautions given in this manual apply generally to many appliances. Other warnings are specific to the use of this electric vacuum + mulcher.

Always follow these safety guidelines. Failure to do so may result in serious bodily injury or death.

⚠️ DANGER! This indicates a hazardous situation, which, if not followed, will result in serious injury or death.

⚠️ WARNING! This indicates a hazardous situation, which, if not followed, could result in serious injury or death.

⚠️ CAUTION! This indicates a hazardous situation, which, if not followed, could result in minor or moderate injury.

General Safety

FOR HOUSEHOLD USE ONLY

Before using, be sure that everyone using this tool reads and understands all safety instructions and other information contained in this manual. Save this manual and review it frequently prior to using this tool and when instructing others on the proper operating procedures.

⚠️ CAUTION! Wear appropriate hearing protection during use. After long periods of extended use, the noise generated from this appliance may cause hearing loss if your ears are not properly protected.

⚠️ WARNING! To reduce the risk of injury, inspect the collection bag frequently and replace with recommended replacement if there are signs of wear or deterioration.

Before using the electric vacuum + mulcher, take the time to familiarize yourself with the controls, especially how to stop the electric vacuum + mulcher in an emergency. The only individuals who should use the vacuum are those who have a thorough understanding of the instructions and who know how to operate the machine. Children should never be allowed access to the vacuum.

Retain this manual for future reference.

- 1. Keep work area clean and well-lit** – Cluttered, dark areas invite accidents.
- 2. Replacement parts** – When servicing this unit, use only identical replacement parts. Replace or repair damaged cords immediately.
- 3. Keep children, bystanders and pets away** – All spectators, including pets, should be kept a safe distance away from the work area.
- 4. Dress properly** – Do not wear loose clothing or jewelry as such articles can become caught in moving parts. Wear a protective covering to contain long hair. Wearing rubber gloves and substantial non-slip footwear is recommended when working outdoors.
- 5. Extension cords** – To prevent electric shock, use only with an extension cord suitable for outdoor use.
- 6. Avoid accidental starting** – Do not carry the vacuum with your finger on the switch. Make sure the switch is off before plugging in the unit.

⚠️ DANGER! Do not manually place objects into the vacuum inlet while operating the unit as this can seriously damage the unit and/or harm the operator. Keep both hands away from the air inlet while the power is on.

DO NOT ATTEMPT to remove material or hold material to be vacuumed when the vacuum is on. Make sure the vacuum is off when clearing jammed material from the vacuum inlet.

⚠️ CAUTION! Moving parts will continue to run for several seconds after turning off the machine.

- 7. Do not abuse the cord** – Never carry the vacuum by the cord or yank the cord to disconnect it from the receptacle. Keep the cord away from heat, oil and sharp edges.
- 8. Moving parts** – Keep hands and feet away from moving parts. Keep guards in place and in proper working order.
- 9. Do not force the tool** – It will perform better with less likelihood of personal or mechanical injury if it is used at the rate for which it was designed.
- 10. Wear personal protective equipment** – When using this tool, wear safety glasses with side shields or goggles to provide necessary eye protection. Wear ear defenders to prevent hearing damage. Use a face or dust mask if the work environment is dusty.

11. **Disconnect the tool** – Disconnect the vacuum from the power supply when it is not in use, before servicing it, when changing accessories and when performing any other maintenance task.
 12. **Store idle tool indoors** – When not in use, the vacuum should be stored indoors in a dry and locked-up place out of the reach of children.
 13. **Maintain the vacuum with care** – Keep the air inlet/outlet and the fan area clear and clean for optimal performance and to reduce the risk of injury. Inspect the extension cord periodically and immediately replace it if damaged. Keep the handles dry, clean and free from oil and grease. Follow the additional recommendations described in the maintenance section of this manual.
 14. **Use the right tool** – Do not use the tool for any job except that for which it is intended.
 15. **Avoid dangerous environments** – Do not use the vacuum in rain, damp or wet locations. Do not operate the vacuum in gaseous or explosive atmospheres or use the vacuum to pick up flammable or combustible liquids. Motors in these tools normally spark, and the sparks might ignite fumes.
 16. **Stay alert** – Watch what you are doing. Use common sense. Do not operate the vacuum when you are tired or under the influence of drugs, alcohol or other medication.
 17. **Check Damaged Parts** – Before further use of the appliance, a guard or other part that is damaged should be carefully checked to determine that it will operate properly and perform its intended function. Check for alignment of moving parts, binding of moving parts, breakage of parts, mounting, and any other condition that may affect its operation. A guard or other part that is damaged should be properly repaired or replaced by an authorized service center unless indicated elsewhere in this manual.
- Always unplug this appliance before connecting or disconnecting the collection bag.
 - Do not use for wet material.
 - During operation, make sure that the vacuum inlet is properly grounded.
 - Never let children operate the unit.
 - Keep all parts of your body away from any moving parts and all hot surfaces of the unit.
 - Do not put any object into the tool's openings. Do not use the tool with any opening blocked; keep openings free of dust, lint, hair or any other object that may reduce air flow.
 - Check the work area before each use. Remove all objects such as rocks, broken glass, nails, wire or string which can be thrown or become entangled in the machine.
 - Service on the product must be performed by qualified repair personnel only. Service or maintenance performed by unqualified personnel could result in injury to the user or damage to the product.
 - This vacuum is intended for residential use only. Commercial use of this product is prohibited and will void the manufacturer's warranty.
 - Never douse or squirt the unit with water or any other liquid. Clean the unit after each use as described in the cleaning and storage section.
 - Prevent cords, plastic bags, or similar items from getting sucked in, as these might wrap around the impeller fan, which may cause an overload or blocking of the motor. In such a case, switch the vacuum off. Do not leave the vacuum switched on with the motor overloaded or stalled.
 - Always operate the machine in an upright position. Do not operate it tilted to one side or even upside-down.

Personal Safety

- Keep firm footing and maintain good balance at all times. Do not overreach. Overreaching can result in loss of balance.
- Turn off all controls before unplugging the tool.
- Do not use the tool if the power switch does not turn it ON or OFF. Any tool that cannot be controlled with the switch is dangerous and must be repaired.
- Do not use the tool with a damaged plug. If the tool is not working as it should or has been dropped, damaged, left outdoors or dropped into water, return it to an authorized Snow Joe® + Sun Joe® dealer or contact the Snow Joe® + Sun Joe® customer service department at 1-866-SNOWJOE (1-866-766-9563).
- Do not pick up anything that is burning or smoking, such as cigarettes, matches or hot ashes.
- Do not use without the collection bag in place.
- Carefully inspect your appliance prior to use and follow all label and marking instructions.

Electrical Safety

1. Ground fault circuit interrupter (GFCI) protection should be provided on the circuit(s) or outlet(s) to be used for the vacuum. Receptacles are available having built-in GFCI protection and may be used for this measure of safety.
2. To prevent electric shock, use only with an extension cord suitable for outdoor use, such as SW-A, SOW-A, STW-A, STOW-A, SJW-A, SJOW-A, SJTW-A, or SJTOW-A.
Before use, check that the extension cord is in good condition. When using an extension cord, make sure to use one heavy enough to carry the current your product will draw. An undersized cord will cause a drop in line voltage resulting in loss of power and overheating.



WARNING



Electric shock may cause SEVERE INJURY or DEATH. Heed these warnings:

- Do not allow any part of the electric vacuum + mulcher to make contact with water while it is in operation. If the appliance becomes wet while turned off, wipe dry before starting.
- Use only a UL-, CSA-, or ETL-rated extension cord for outdoor, all-weather use, such as the Snow Joe® + Sun Joe® SJTW-A 14-gauge 50-foot extension cord with lighted end (Model PJEXT50-B). Visit sunjoe.com to purchase this extension cord online or, to order by phone, call 1-866-SNOWJOE (1-866-766-9563).
- Do not use an extension cord over 100 ft (30 m).
- Do not touch the appliance or its plug with wet hands or while standing in water. Wearing rubber boots offers some protection.

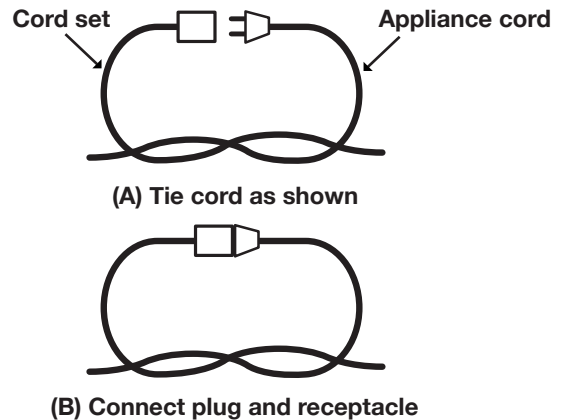
EXTENSION CORD CHART

Extension Cord Length	Up to 50 ft (15 m)	+50 ft - 100 ft (+15 m - 30 m)
Wire Gauge (A.W.G.):	14	12

- To reduce the risk of electric shock, this appliance has a polarized plug (i.e. one blade is wider than the other). Use this appliance only with a polarized, UL-listed (CSA certified in Canada) extension cord recommended for outdoor use. The appliance plug will fit into a polarized extension cord only one way.


If the appliance plug does not fit fully into the extension cord, reverse the plug. If the plug still does not fit, obtain a correct polarized extension cord. A polarized extension cord will require the use of a polarized wall outlet. The extension cord plug will fit into the polarized wall outlet only one way. If the plug does not fit fully into the wall outlet, reverse the plug. If the plug still does not fit, contact a qualified electrician to install the proper wall outlet. Do not modify the appliance plug, extension cord receptacle or extension cord plug in any way.
- To prevent the appliance cord from disconnecting from the extension cord during operation, make a knot with the two cords as shown in Table 1.

Table 1. Method of Securing Extension Cord



- Do not abuse the cord. Never pull the vacuum by the cord or yank the cord to disconnect it from the receptacle. Keep the cord away from heat, oil and sharp edges.

Double-Insulated Appliances

In a double-insulated appliance, two systems of insulation are provided instead of grounding. No grounding means is provided on a double-insulated appliance, nor should a means for grounding be added to the appliance. Servicing a double-insulated appliance requires extreme care and knowledge of the system, and should be performed only by qualified service personnel at an authorized Snow Joe® + Sun Joe® dealer. Replacement parts for a double-insulated appliance must be identical to the parts they replace. A double-insulated appliance is marked with the words “Double Insulation” or “Double Insulated.” The symbol  (square within a square) may also be marked on the appliance.








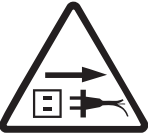





DOUBLE-INSULATED: GROUNDING NOT REQUIRED. WHEN SERVICING, USE ONLY IDENTICAL REPLACEMENT PARTS.

This electric vacuum + mulcher is double-insulated, eliminating the need for a separate grounding system. Use only identical replacement parts. Read the instructions before servicing double-insulated appliances. Use this vacuum only as described in this manual.

Safety Symbols

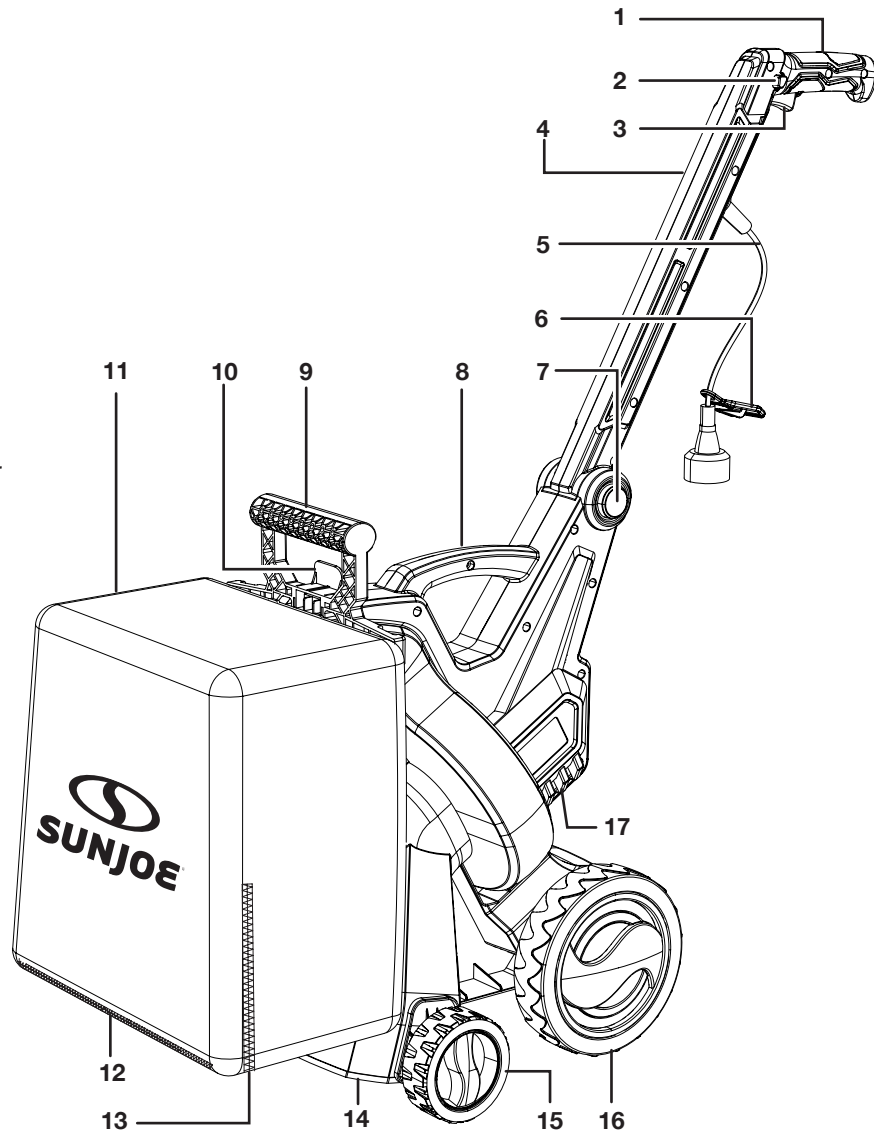
The following table depicts and describes safety symbols that may appear on this product. Read, understand and follow all instructions on the machine before attempting to assemble and operate.

Symbols	Descriptions	Symbols	Descriptions
	READ THE OPERATOR'S MANUAL(S) – Read, understand and follow all instructions in the user manual(s) before attempting to assemble and operate.		Keep bystanders and children a safe distance away.
	SAFETY ALERT – Indicates a precaution, a warning or a danger.		WARNING! Do not expose the unit to rain or wet conditions.
	Beware of flying objects and debris.		Wear hearing protection. Wear eye protection. Wear breathing protection.
	The rotating part will continuously run for several seconds after you turn off the machine.		Immediately remove the plug from the mains if the power cable is damaged, frayed or entangled. Always keep the power cable away from heat, oil and sharp edges.
	DANGER! Rotating blades pose a serious risk of injury. Keep hands and feet away from openings while the machine is running.		WARNING! Turn the machine OFF and disconnect it from the power supply before inspecting, cleaning, changing accessories or conducting any other maintenance task.
	DOUBLE INSULATION – When servicing, use only identical replacement parts.		

Know Your Electric Vacuum + Mulcher

Read the owner's manual and safety instructions carefully before operating the electric vacuum + mulcher. Compare the illustration below to the electric vacuum + mulcher in order to familiarize yourself with the location of the various controls and adjustments. Save this manual for future reference.

1. Handle grip
2. Safety lock button
3. On/Off switch
4. Pivoting handle
5. Appliance cord
6. Extension cord restraint hook
7. Handle pivoting button
8. Auxiliary handle
9. Collection bag handle
10. Collection bag releasing tab
11. Collection bag
12. Collection bag dust pouch zipper
13. Collection bag leaf pouch zipper
14. Vacuum chute/air inlet
15. Front wheels (2)
16. Rear wheels (2)
17. Ventilation slots



Technical Data

Motor	13 A	Collection Bag Capacity	10.6 gallons (40 l)
Rated Voltage	120V ~ 60 Hz	Mulching Ratio	16:1
No Load Speed	12800 rpm	Air Inlet Height	Low: 1.4 in. (3.6 cm) High: 2.2 in. (5.6 cm)
Vacuum Air Flow Max	1036 CFM (29.3 m ³ /min)	Front Wheel Size	4 in. (10 cm)
Air Speed Max	40 MPH (64 km/h)	Rear Wheel Size	7 in. (18 cm)
Debris Intake	7.9 in. x 5.5 in. (20 cm x 14 cm)	Net Weight	14 lbs (6.4 kg)
Handle Length	17.7 in. (45 cm)		

Unpacking

Carton Contents

- Electric vacuum + mulcher
- Front wheels (2)
- Front wheel hubs (2)
- Collection bag with supporting frame
- Manual with registration card

1. Carefully remove the electric vacuum + mulcher and check to see that all of the above items are supplied.
2. Inspect the product carefully to make sure no breakage or damage occurred during shipping. If you find damaged or missing parts, DO NOT return the unit to the store. Please call the Snow Joe® + Sun Joe® customer service center at 1-866-SNOWJOE (1-866-766-9563).

NOTE: Do not discard the shipping carton and packaging material until you are ready to use the vacuum. The packaging is made of recyclable materials. Properly dispose of these materials in accordance with local regulations.

IMPORTANT! The equipment and packaging material are not toys. Do not let children play with plastic bags, foils or small parts. These items can be swallowed and pose a suffocation risk!

Assembly

⚠ WARNING! To avoid serious personal injury, read and understand all safety instructions provided.

⚠ WARNING! Do not connect to power supply until assembly is complete. Failure to comply could result in accidental starting and possible serious personal injury.

⚠ WARNING! Before performing any maintenance, make sure the tool is unplugged from the power supply. Failure to heed this warning could result in serious personal injury.

⚠ WARNING! To prevent serious personal injury, make sure the switch is not squeezed, the unit is unplugged and the impeller has come to a complete stop before attaching or removing the collection bag.

1. Assemble the front wheel with the wheel hub as shown below. Insert the shaft of the wheel hub into one of the holes located on the side of the vacuum chute, and rotate the wheel hub clockwise until it cannot be rotated anymore (Fig. 1).

NOTE: Adjust the vacuum to obtain the optimal air inlet height by aligning the wheel shaft to the hole at the corresponding height.

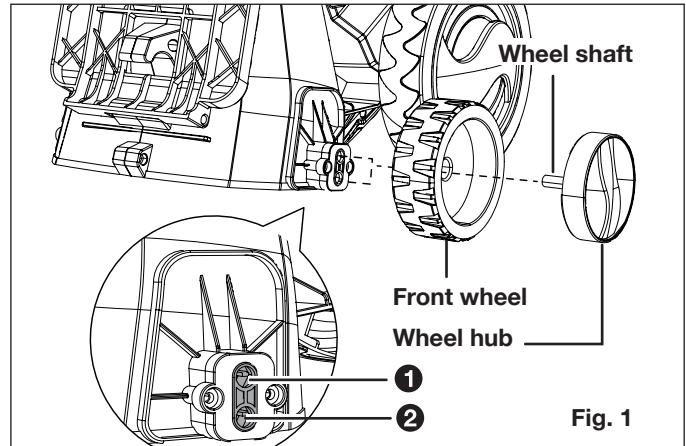


Fig. 1

2. Repeat the above assembly step for the other wheel, make sure both wheels are set to the same height.

2-Position Height Adjustment:

1) Low: 1.4 in. (3.6 cm)

2) High: 2.2 in. (5.6 cm)

NOTE: Choose the air inlet height according to the terrain that the vacuum will be working on. To work on flat surface, lower the air inlet height. To work on lawn or uneven surface, increase the air inlet height.

3. Flip down the collection bag support located on the bottom of the chute (Fig. 2).

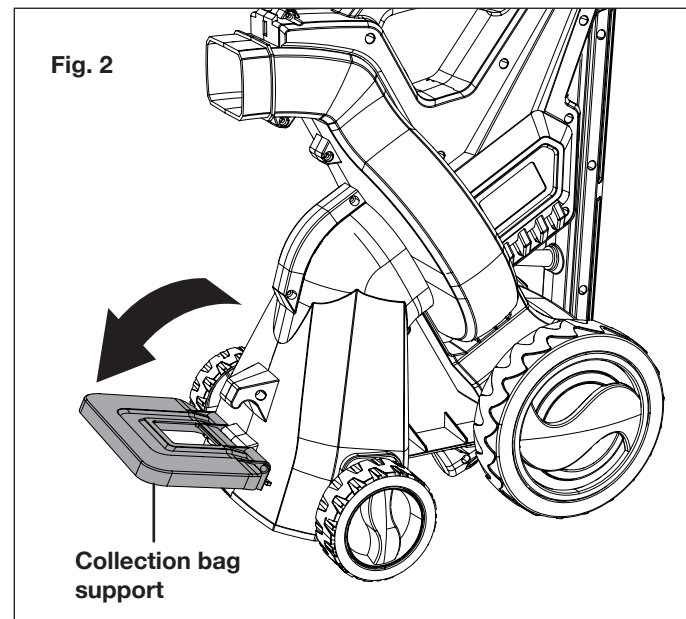
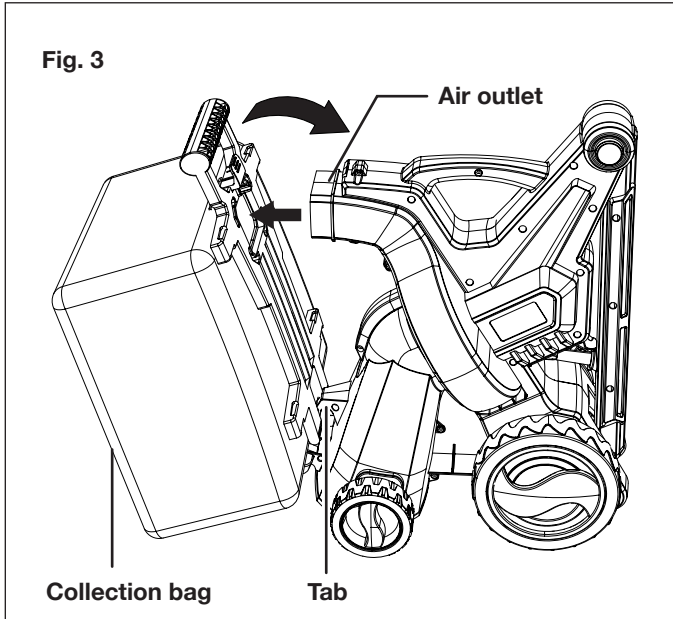


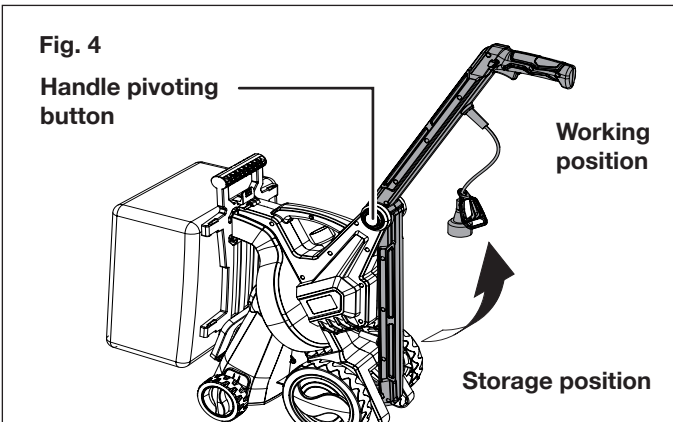
Fig. 2

4. To attach the collection bag, first place the bottom of the collection bag on the collection bag support and insert the tab on the chute into the hole on the bottom of the collection bag, then align and insert the air outlet into the hole on the top of the bag. Press firmly until it clicks and locks securely into place (Fig. 3).



NOTE: The collection bag must be attached any time the unit is being operated. The unit cannot start if the collection bag is not attached properly.

5. Press on the handle pivoting button and rotate the handle at the same time, until the handle is fully extended and clicks into the working position (Fig. 4).



⚠ DANGER! To avoid personal injury, the handle must be fully extended in working position during operation.

Operation

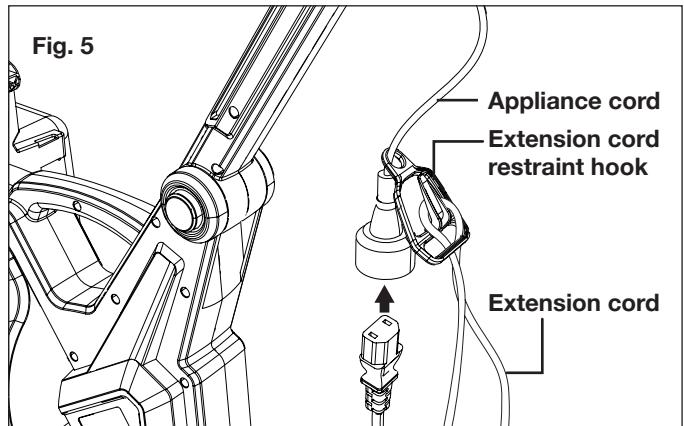
Starting + Stopping

Do not switch on the vacuum until it has been completely assembled. Before switching on the unit, always check the appliance cord and the extension cord for signs of damage. Use only intact cords.

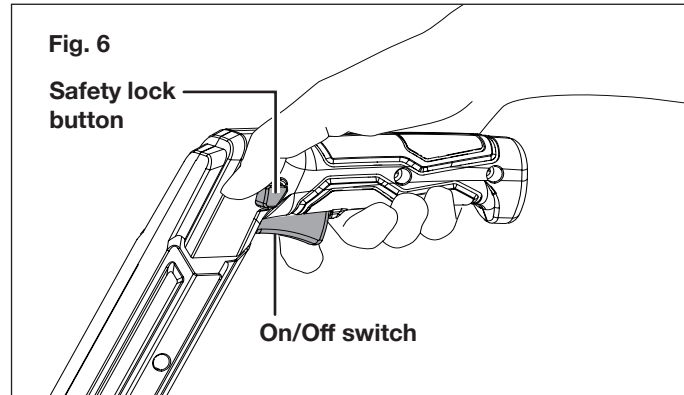
⚠ WARNING! Damaged cords pose a severe risk of injury. Replace damaged cords immediately.

⚠ WARNING! Before switching on the vacuum, make sure that it is not in contact with any foreign objects. Keep your hands and feet a safe distance away from the bottom opening. Failure to comply with these warnings can result in severe personal injury.

1. Push a loop of the extension cord through the slot on the extension cord restraint hook from the opposite side and loop it around the extension cord restraint hook. Connect the appliance cord and the extension cord (Fig. 5).



2. To start the unit, press the safety lock button, meanwhile squeeze the On/Off switch. Once the machine powers on, release the safety lock button and proceed with operation (Fig. 6).



3. To stop the unit, release the On/Off switch (Fig. 6).

Operating Tips

This electric vacuum + mulcher is designed to clean hard surfaces as paved paths, courtyards and terraces. It is only suitable for vacuuming dry, light materials such as grass, leaves, small twigs and acorns. The vacuuming of heavy materials such as metal, stones, branches, broken glass, and wet leaves is expressly excluded.

⚠ WARNING! Use the electric vacuum + mulcher only in daylight or good artificial light.

- Wear personal protective equipment during your work session. This includes boots, safety glasses/goggles, ear defenders, long pants and a long-sleeve shirt.

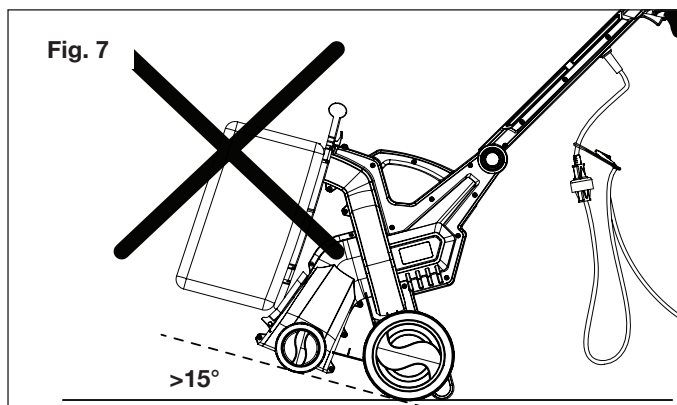
- Make sure the collection bag is properly installed and zipped closed.
- To reduce the risk of hearing loss associated with sound level(s), hearing protection is required.
- Before starting, make sure the handle is securely set into working position.
- Always direct the extension cord backwards, away from the unit.
- Operate power equipment only at reasonable hours—not early in the morning or late at night when people might be disturbed. Comply with times listed in local ordinances. Usual recommendations are 9:00 am to 5:00 pm, Monday through Saturday.
- Be extremely careful when working on slopes.
- Always move forward by walking. Never run.
- To reduce noise levels, limit the number of pieces of power equipment used at any one time.
- Clean up after using vacuums and other lawn equipment. Dispose of debris appropriately.

⚠ WARNING! To avoid serious personal injury, wear ear defenders, goggles or safety glasses at all times when operating this unit. Wear a face mask or dust mask in dusty locations.

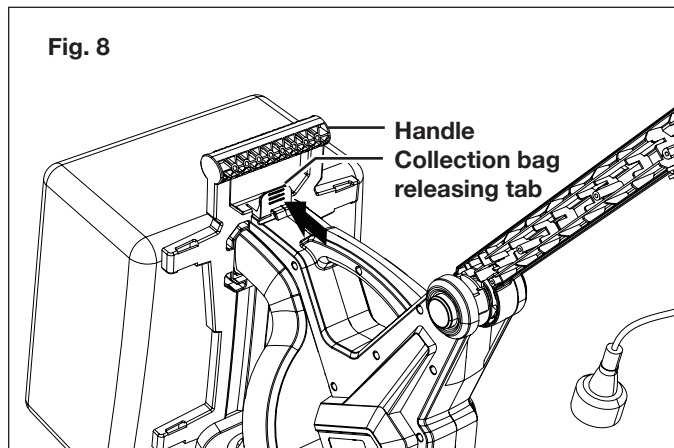
Basic Vacuum/Mulcher Procedure

- Make sure the vacuum is stable and all 4 wheels are in contact with the ground.

NOTE: The unit will not start if any of the rear wheels are not touching the ground.
- Always stand behind the unit. Do not turn on the unit when people are kneeling or sitting next to it.
- With a firm hold on the handle grip, move the unit slowly and steadily to place the air inlet over the debris to be vacuumed. The debris will flow into the bag. Items such as small leaves and twigs will be mulched as they pass through the impeller. For longer bag life and increased performance, empty the bag frequently.
- During operation, do not press down on the handle grip to tilt the front of the vacuum. If tilted more than 15 degrees, the machine will shut off and won't operate (Fig. 7).



- During operation, keep the ventilation slots unblocked. Blocked ventilation slots will cause the machine to overheat.
- When the bag is full, the suction power of the tool will decrease. Release the On/Off switch and unplug the unit from the power supply. Push the releasing tab and pull the bag off the unit by the handle at the same time to release the collection bag (Fig. 8).



- To empty the bag, hold the plastic handle and unzip both zippers of the bag. Shake out any debris and leaves.

NOTE: This unit is equipped with dust filtration capability which separates the accumulated mulch from the fine dust. For optimal performance, it is recommended to empty both compartments everytime after using.

⚠ WARNING! To prevent serious personal injury, make sure the switch is not squeezed, the unit is unplugged and the impeller has come to a complete stop before attaching or removing the collection bag.

Maintenance

To order genuine replacement parts or accessories for the Sun Joe® SBJ807E electric vacuum + mulcher, please visit sunjoe.com or contact the Snow Joe® + Sun Joe® customer service center at 1-866-SNOWJOE (1-866-766-9563).

⚠ WARNING! Disconnect the extension cord before performing any maintenance task.

If the extension cord is plugged into the appliance, someone could accidentally turn on the unit while you are performing maintenance on it, which could result in serious personal injury.

Clearing The Blocked Inlet/Outlet

During the vacuuming process, certain objects such as cloth, rope or large diameter sticks may obstruct and block the air inlet/outlet. A thermal protection device, which is built into the vacuum, will cut off the electricity to the motor to prevent damage from overheating. When this happens, follow the instructions below to clean the blocked air inlet/outlet.

⚠️ WARNING! To avoid serious personal injury, be sure the unit is OFF and unplugged before clearing the air inlet.

⚠️ WARNING! To avoid serious personal injury, always wear gloves to protect yourself from any sharp objects.

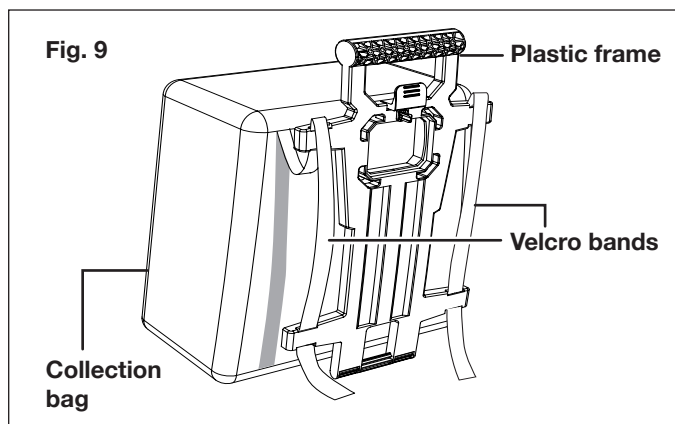
1. Release the On/Off switch and wait until the unit comes to a complete stop.
2. Unplug the unit.
3. Remove the collection bag.
4. Turn the machine sideways to expose the air inlet. Wearing protective gloves, carefully reach and remove the material blocking the chute from the air inlet. Inspect to ensure no damage has occurred.
5. Reinstall the collection bag. Wait 3 minutes for the motor to cool.
6. Plug the unit back into the power supply and start the unit. The vacuum will resume normal function.

Cleaning the Unit

⚠️ WARNING! To avoid serious personal injury, always turn the unit off and unplug it before cleaning or servicing.

Use a small brush to clean the outside of the unit. Do not use strong detergents, household cleaners that contain aromatic oils (e.g. pine and lemon) or harsh solvents such as kerosene as these substances can damage the plastic housing or the handle. Wipe off any moisture with a soft, dry cloth.

1. Empty the bag after each use to avoid deterioration and obstructing air flow, which will reduce the performance of the mulcher.
2. Wear eye protection and a dust mask. Clean the bag as needed. Turn the bag inside out after initial emptying and vigorously shake out dust and debris.
3. Wash the bag once a year, or more often if needed. Follow the steps below:
 - i. Remove the bag.
 - ii. Unclip the 2 Velcro bands used to secure the bag on the supporting frame, and release the string that is used to fix the bag on the upper slot of the frame. Remove the collection bag from the frame (Fig. 9).



- iii. Turn the bag inside out.
- iv. Hang it up.
- v. Hose it down thoroughly.
- vi. Leave it hanging to dry.
- vii. Turn the bag right-side out and reinstall.

Storage

1. Examine the electric vacuum + mulcher thoroughly for worn, loose or damaged parts. Should you need to repair or replace a part, contact an authorized Snow Joe® + Sun Joe® dealer or call the Snow Joe® + Sun Joe® customer service center at 1-866-SNOWJOE (1-866-766-9563) for assistance.
2. Examine the extension cord thoroughly for signs of excess wear or damage. If it is worn or damaged, replace it immediately.
3. Disconnect the extension cord from the vacuum before storing.
4. Store the cord with the vacuum indoors in a clean, dry and locked location out of the reach of children and animals.

NOTE: Devices for retaining extension cords are commercially available should you wish to purchase one.

Service and Support

If your Sun Joe® SBJ807E electric vacuum + mulcher requires service or maintenance, please call the Snow Joe® + Sun Joe® customer service center at 1-866-SNOWJOE (1-866-766-9563).

Model and Serial Numbers

When contacting the company, reordering parts or arranging service from an authorized dealer, you will need to provide the model and serial numbers, which can be found on the decal located on the housing of the unit. Copy these numbers into the space provided below.

Record the following numbers from the housing or handle of your new product:	
Model #:	
S B J 8 0 7 E	
Serial #:	

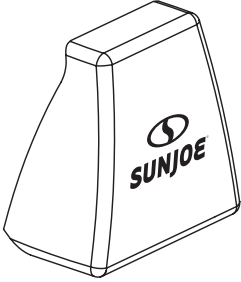
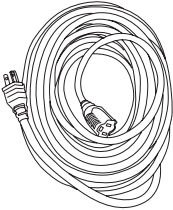
Troubleshooting

⚠️ WARNING! Always unplug the power cord before performing any adjustments, maintenance or repairs to your electric vacuum + mulcher.

Problem	Possible Cause	Solution
Unit will not vacuum	<ol style="list-style-type: none"> 1. Bag full. 2. Blocked air inlet/outlet. 3. Blocked impeller. 4. Dirty bag. 5. Torn bag. 6. Bag unzipped. 7. Unit unplugged. 	<ol style="list-style-type: none"> 1. Empty the bag. 2. Clear the blockage. 3. Clear the blockage. 4. Clean the bag. 5. Replace the bag. 6. Zip up the bag. 7. Plug into an outlet or an extension cord.
Unit will not start	<ol style="list-style-type: none"> 1. Unit is unplugged. 2. On/Off switch is not squeezed properly. 3. Defective On/Off switch. 4. House circuit may have tripped. 5. The collection bag is not attached properly. 6. The handle is not fully extended. 7. Unit is tilted. 8. Unit is overheated. 	<ol style="list-style-type: none"> 1. Check cord to make sure it is plugged into an electrical outlet. 2. Press the safety lock button, and squeeze the ON/Off switch. 3. Call the Snow Joe® + Sun Joe® customer service center at 1-866-SNOWJOE (1-866-766-9563). 4. Check wall circuit breaker panel and reset if necessary. 5. Attach the collection bag securely. 6. Extend the handle until it clicks into position. 7. Place the unit stably on the ground, with all 4 wheels touching the ground. 8. Unplug the unit, clear any blockage, and let it cool down for a while.

Optional Accessories

⚠ WARNING! ALWAYS use only authorized Snow Joe® + Sun Joe® replacement parts and accessories. NEVER use replacement parts or accessories that are not intended for use with this electric vacuum + mulcher. Contact Snow Joe® + Sun Joe® if you are unsure whether it is safe to use a particular replacement part or accessory with your electric vacuum + mulcher. The use of any other attachment or accessory can be dangerous and could cause injury or mechanical damage.

Accessories	Item	Model
<p>①</p> 	<p>10.6 gallons (40 l) collection bag</p>	<p>SBJ807E-BAG</p>
<p>②</p> 	<p>Snow Joe® + Sun Joe® SJTW-A 14-gauge 50-foot extension cord with lighted end</p>	<p>PJEXT50-B</p>

NOTE: Accessories are subject to change without any obligation on the part of Snow Joe® + Sun Joe® to provide notice of such changes. Accessories can be ordered online at sunjoe.com or via phone by contacting the Snow Joe® + Sun Joe® customer service center at 1-866-SNOWJOE (1-866-766-9563)



SNOW JOE® + SUN JOE® CUSTOMER PROMISE

ABOVE ALL ELSE, Snow Joe, LLC (“Snow Joe”) is dedicated to you, our customer. We strive to make your experience as pleasant as possible. Unfortunately, there are times when a Snow Joe®, Sun Joe®, or Aqua Joe® product (“Product”) does not work or breaks under normal operating conditions. We think it’s important that you know what you can expect from us. That’s why we have a Limited Warranty (“Warranty”) for our Products.

OUR WARRANTY:

Snow Joe warrants new, genuine, powered and non-powered Products to be free from defects in material or workmanship when used for ordinary household use for a period of two years from the date of purchase by the original, end-user purchaser when purchased from Snow Joe or from one of Snow Joe’s authorized sellers with proof of purchase. Because Snow Joe is unable to control the quality of its Products sold by unauthorized sellers, unless otherwise prohibited by law, this Warranty does not cover Products purchased from unauthorized sellers. If your Product does not work or there’s an issue with a specific part that is covered by the terms of this Warranty, Snow Joe will elect to either (1) send you a free replacement part, (2) replace the Product with a new or comparable product at no charge, or (3) repair the Product. How cool is that!

This Warranty gives you specific legal rights, and you may also have other rights which vary from State to State.

PRODUCT REGISTRATION:

Snow Joe strongly encourages you to register your Product. You can register online at snowjoe.com/register, or by printing and mailing in a registration card available online from our website, or calling our Customer Service Department at **1-866-SNOWJOE (1-866-766-9563)**, or by e-mailing us at help@snowjoe.com. Failure to register your Product will not diminish your warranty rights. However, registering your Product will allow Snow Joe to better serve you with any of your customer service needs.

WHO CAN SEEK LIMITED WARRANTY COVERAGE:

This Warranty is extended by Snow Joe to the original purchaser and original owner of the Product.

WHAT IS NOT COVERED?

This Warranty does not apply if the Product has been used commercially or for non-household or rental applications. This Warranty also does not apply if the Product was purchased from an unauthorized seller. This Warranty also does not cover cosmetic changes that do not affect performance. Wearing parts like belts, augers, chains and tines are not covered under this Warranty, and can be purchased at snowjoe.com or by calling **1-866-SNOWJOE (1-866-766-9563)**.





MANUAL DEL OPERADOR

Una división de Snow Joe®, LLC

ASPIRADORA + TRITURADORA ELÉCTRICA 2-EN-1

13 A | 40 MPH MÁX. | 1,036 CFM MÁX

SP

Modelo SBJ807E

Forma N° SJ-SBJ807E-880S-M

¡IMPORTANTE! Instrucciones de seguridad

Todos los operadores deberán leer estas instrucciones antes del uso

Cualquier artefacto eléctrico puede ser peligroso si se usa incorrectamente. Algunas de las precauciones de seguridad que aparecen en este manual se aplican a muchos artefactos. Otras advertencias son específicas al uso de esta aspiradora + trituradora eléctrica.

Siga siempre estas normas de seguridad. No hacerlo podría resultar en lesiones personales severas o incluso la muerte.

⚠ ¡PELIGRO! Esto indica una situación peligrosa que, de no ser evitada, resultará en lesiones personales severas o la muerte.

⚠ ¡ADVERTENCIA! Esto indica una situación peligrosa que, de no ser evitada, puede causar lesiones personales severas o la muerte.

⚠ ¡PRECAUCIÓN! Esto indica una situación peligrosa que, de no ser evitada, puede causar lesiones personales menores o moderadas.

Seguridad general

SOLO PARA USO DOMÉSTICO

Antes de que cualquier persona use este producto, asegúrese de que dicha persona haya leído y entendido por completo todas las instrucciones de seguridad e información adicional contenidas en este manual. Conserve este manual y revíselo con frecuencia antes de usar esta herramienta y al momento de instruir a otros sobre los procedimientos adecuados de operación.

⚠ ¡PRECAUCIÓN! Emplee una protección auditiva adecuada durante su uso. Luego de periodos prolongados de uso extendido, el ruido generado por este artefacto puede causar pérdida auditiva si sus oídos no están protegidos adecuadamente.

⚠ ¡ADVERTENCIA! Para reducir el riesgo de lesiones personales, inspeccione frecuentemente la bolsa recolectora y reemplácela con las partes recomendadas si es que muestra señales de desgaste o deterioro.

Antes de usar la aspiradora + trituradora eléctrica, tómese el tiempo para familiarizarse con sus controles, sobre todo con la forma de detenerla en caso de emergencia. Las únicas personas que deben usar la aspiradora + trituradora eléctrica son aquellas que tengan un entendimiento completo de las instrucciones y sepan cómo operar la máquina. Los niños nunca deben tener acceso a la aspiradora + trituradora eléctrica.

Conserve este manual para futuras referencias.

- 1. Mantenga el área de trabajo limpia y bien iluminada:** las áreas de trabajo abarrotadas u oscuras pueden provocar accidentes.
- 2. Partes de repuesto:** al reparar esta unidad, use solo partes de repuesto idénticas. Reemplace o repare los cables dañados inmediatamente.
- 3. Mantenga alejados a los niños y mascotas:** todos los espectadores, incluyendo niños y mascotas, deberán estar a una distancia segura del área de trabajo.
- 4. Vístase adecuadamente:** no use vestimenta suelta ni joyería, ya que dichos objetos pueden engancharse en las partes móviles. Utilice una cubierta protectora para contener cabellos largos. Se recomienda usar guantes de hule y calzado anti-deslizante protector al trabajar en exteriores.
- 5. Cables de extensión:** para prevenir choques eléctricos, use esta máquina únicamente con un cable de extensión adecuado para uso en exteriores.
- 6. Evite encendidos accidentales** no transporte la aspiradora + trituradora eléctrica con su dedo sobre el interruptor. Asegúrese de que el interruptor esté apagado antes de enchufar la unidad.

⚠ ¡PELIGRO! No coloque de forma manual objetos en la entrada de aspirado mientras opere la unidad ya que esto puede dañar severamente la unidad y/ o lesionar al operador. Mantenga ambas manos alejadas de la entrada de aire mientras la unidad esté encendida.

NO INTENTE retirar material ni sujetar material a ser aspirado cuando la aspiradora + trituradora eléctrica esté encendida. Asegúrese de que la aspiradora + trituradora eléctrica esté apagada al desatascar material de la entrada de aspirado.

⚠ ¡PRECAUCIÓN! Las partes móviles continuarán moviéndose por varios segundos luego de haber apagado la aspiradora + trituradora.

- 7. No maltrate el cable:** nunca transporte la aspiradora + trituradora eléctrica por el cable, ni tire de éste para

desconectar la máquina del tomacorriente. Mantenga el cable alejado del calor, grasas y bordes afilados.

8. **Partes móviles:** mantenga alejados pies y manos de las partes móviles. Mantenga los protectores en su lugar y funcionando apropiadamente.
9. **No fuerce la herramienta:** tendrá un mejor funcionamiento con menos probabilidades de lesiones personales o fallas mecánicas si es usada con la intensidad para la cual fue diseñada.
10. **Use equipos de protección personal:** al emplear esta herramienta, use gafas protectoras con cubiertas laterales o gafas de seguridad para una protección ocular adecuada. Use protección auditiva para evitar daños a los oídos. Use una máscara antipolvo o para el rostro si el entorno de trabajo es polvoriento.
11. **Desconecte la herramienta:** desconecte la aspiradora + trituradora eléctrica de la fuente de alimentación cuando no esté siendo usada, antes de repararla, al cambiar accesorios y al realizar cualquier otra tarea de mantenimiento.
12. **Guarde la herramienta inactiva en interiores:** cuando no esté en uso, la aspiradora + trituradora eléctrica debe almacenarse en interiores, en un lugar seco y bajo llave lejos del alcance de los niños.
13. **Cuide la aspiradora + trituradora eléctrica:** mantenga la entrada/salida de aire y el área del rotor despejados y limpios para un óptimo funcionamiento y reducir el riesgo de lesiones personales. Inspeccione periódicamente el cable de extensión y reemplácelo inmediatamente si está dañado. Mantenga los mangos secos, limpios y sin aceite ni grasa. Siga las recomendaciones adicionales descritas en la sección de mantenimiento de este manual.
14. **Utilice la herramienta correcta:** no utilice esta aspiradora + trituradora para ningún otro trabajo excepto para el cual está destinada.
15. **Evite entornos peligrosos:** no use la aspiradora + trituradora eléctrica en la lluvia o lugares húmedos o mojados. No opere la aspiradora + trituradora eléctrica en atmósferas gaseosas o explosivas, ni use la aspiradora + trituradora eléctrica para recoger líquidos inflamables o combustibles. Los motores de máquinas como esta normalmente echan chispas que pueden encender los gases.
16. **Manténgase alerta:** vea lo que está haciendo. Utilice su sentido común. No opere la aspiradora + trituradora eléctrica si usted está cansado o bajo la influencia de drogas, alcohol u otros medicamentos.
17. **Verifique si hay partes dañadas:** antes de seguir utilizando este artefacto, cualquiera de sus protectores o componentes dañados deberán ser cuidadosamente examinados para determinar si funcionarán correctamente o no. Verifique el alineamiento de las partes móviles, las juntas de las partes móviles, roturas de partes, monturas y cualquier otra condición que pueda afectar su

funcionamiento. Una guarda u otra parte que esté dañada deberá ser reparada correctamente o reemplazada en un centro de servicio autorizado a menos que se indique lo contrario en este manual.

Seguridad personal

- Mantenga con sus pies una posición y un balance adecuados todo el tiempo. No se extralimite. Extralimitarse puede resultar en la pérdida de equilibrio.
- Apague todos los controles antes de desenchufar la herramienta.
- No utilice la herramienta si su interruptor de encendido/apagado no la enciende y apaga. Cualquier herramienta que no pueda ser controlada por su interruptor de encendido/apagado es peligrosa y debe ser reparada.
- No use la herramienta con un enchufe dañado. Si la herramienta no está funcionando como debe o ha sido dejada caer, se ha dañado, fue dejada en exteriores o fue sumergida en agua, devuélvala a un distribuidor Snow Joe® + Sun Joe® autorizado o comuníquese con la central de servicio al cliente Snow Joe® + Sun Joe® llamando al 1-866-SNOWJOE (1-866-766-9563).
- No recoja objetos que se estén quemando o echando humo, tales como cigarrillos, fósforos o cenizas calientes.
- No use esta aspiradora + trituradora eléctrica sin su bolsa recolectora instalada.
- Inspeccione cuidadosamente su artefacto antes del uso y siga todas las instrucciones de las etiquetas y marcas.
- Siempre desenchufe este artefacto antes de instalar o desinstalar la bolsa recolectora.
- No la use para materiales mojados.
- Durante la operación, asegúrese de que el tomacorriente donde está enchufada la máquina esté puesto a tierra correctamente.
- Nunca deje que los niños operen la máquina.
- Mantenga todas las partes de su cuerpo lejos de cualquier parte móvil o superficie caliente de la unidad.
- No coloque ningún objeto dentro de las aberturas de la herramienta. No use la herramienta si alguna de sus aberturas está obstruida. Mantenga las aberturas libres de polvo, pelusa, cabello y cualquier objeto que pueda reducir su flujo de aire.
- Inspeccione el área de trabajo antes de cada uso. Retire todos los objetos tales como rocas, vidrios rotos, clavos, alambres o cuerdas, los cuales pueden ser arrojados o enredarse dentro de la máquina.
- Este producto deberá ser reparado únicamente por personal técnico calificado. El mantenimiento o reparación llevados a cabo por personal no calificado puede causar lesiones personales al usuario o daños al producto.
- Esta aspiradora + trituradora eléctrica está diseñada solo para uso residencial. El uso comercial de este producto está prohibido e invalidará la garantía del fabricante.

- Nunca empape ni moje la unidad con agua u otros líquidos. Limpie la unidad luego de cada uso, tal como se describe en la sección de limpieza y almacenamiento.
- Evite que los cables, bolsas plásticas u objetos similares sean aspirados ya que pueden enredarse alrededor del ventilador del rotor y causar una sobrecarga u obstrucción del motor. En este caso, apague la aspiradora + trituradora eléctrica. No deje la aspiradora + trituradora eléctrica con el motor sobrecargado o frenado.
- Opere siempre la máquina en una posición vertical. No la opere inclinada ni al revés.

Seguridad eléctrica

1. Un interruptor de circuito por falla a tierra (GFCI) deberá proteger al(a los) circuito(s) o tomacorriente(s) a ser utilizado(s) para la aspiradora + trituradora eléctrica. Hay receptáculos disponibles con protección incorporada GFCI y pueden ser utilizados para esta medida de seguridad.
2. Para evitar un choque eléctrico, emplee solo cables de extensión adecuados para uso en exteriores, tales como SW-A, SOW-A, STW-A, STOW-A, SJW-A, SJOW-A, SJTW-A o SJTOW-A.

Antes del uso, verifique que el cable de extensión esté en buenas condiciones. Asegúrese de usar un cable de extensión lo suficientemente fuerte como para poder transportar toda la electricidad que su equipo consumirá. Un cable de extensión demasiado fino causará una caída de tensión en la línea produciendo pérdida de potencia y recalentamiento.

ADVERTENCIA

Un choque eléctrico puede causar lesiones personales SEVERAS o LA MUERTE. Tenga en cuenta estas advertencias:

- No deje que ninguna parte de la aspiradora + trituradora eléctrica haga contacto con agua mientras esté funcionando. Si la máquina se moja mientras está apagada, séquela antes de encenderla.
- Use solo un cable de extensión aprobado por UL, CSA o ETL y recomendado para uso en exteriores y todo tipo de clima, tal como el cable de extensión de 50 pies y calibre 14 SJTW-A de Snow Joe®+ Sun Joe® con extremo iluminado (modelo PJEXT50-B). Visite sunjoe.com para comprar este cable de extensión, o pídale llamando al 1-866-SNOWJOE (1-866-766-9563).
- No use un cable de extensión de más de 100 pies (30 m).
- No toque el artefacto, ni su enchufe, con las manos mojadas ni mientras esté parado sobre agua. Usar botas de hule le dará algo de protección.

TABLA DE CABLES DE EXTENSIÓN

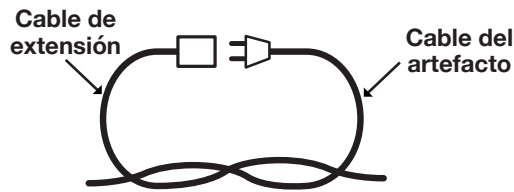
Longitud de cable de extensión:	Hasta 50 pies (15 m)	+50 pies - 100 pies (+15 m - 30 m)
Calibre de alambre mínimo (AWG):	14	12

3. Para reducir el riesgo de un choque eléctrico, este artefacto posee un enchufe polarizado (es decir, una pata es más ancha que la otra). Use este artefacto solo con un cable de extensión de enchufe polarizado, aprobado por UL (certificado por CSA en Canadá) y recomendado para uso en exteriores. El enchufe del artefacto encajará en el receptáculo del cable de extensión polarizado de una sola manera.

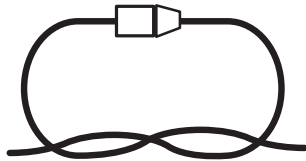
Si el enchufe del artefacto no entra por completo dentro del receptáculo del cable de extensión, invierta las clavijas del enchufe. Si el enchufe aún no encaja dentro del receptáculo del cable de extensión, obtenga un cable de extensión polarizado correcto. Un cable de extensión polarizado requerirá el uso de un tomacorriente polarizado de pared. El enchufe del cable de extensión encajará en el tomacorriente polarizado de la pared de una sola manera. Si el enchufe no entra por completo dentro del tomacorriente de la pared, invierta las clavijas del enchufe. Si el enchufe aún no encaja en el tomacorriente, comuníquese con un electricista calificado para la instalación de un tomacorriente de pared apropiado. No modifique el enchufe del artefacto, el receptáculo del cable de extensión, ni el enchufe del cable de extensión en ninguna forma.

4. Para evitar que el cable del artefacto se desconecte del cable de extensión al usarlo, haga un nudo con los dos cables tal como se muestra en el gráfico 1.

Gráfico 1: método para asegurar el cable de extensión



(A) Ate el cable como se indica



(B) Conecte el enchufe y el receptáculo

5. No maltrate el cable. Nunca jale la aspiradora + trituradora eléctrica por su cable ni tire de este para desconectarla del tomacorriente. Mantenga el cable alejado del calor, grasas y bordes afilados.

Artefactos de doble aislamiento

En un artefacto de doble aislamiento se proporcionan dos sistemas de aislamiento en lugar de una conexión a tierra. Un artefacto de doble aislamiento no posee una conexión a tierra, y no debe agregársele ninguna. La reparación de un artefacto de doble aislamiento requiere sumo cuidado y conocimiento del sistema, y solo debe ser realizada por personal técnico calificado en un centro de servicio autorizado por Snow Joe®+ Sun Joe®. Las partes de repuesto de un artefacto de doble aislamiento deben ser idénticas a las partes originales. Un artefacto de doble aislamiento está marcado con las frases “Double Insulation” (“doblemente aislado”) o “Double Insulated” (“doble aislamiento”). El símbolo □ (un cuadrado dentro de otro) puede también estar marcado en el artefacto:








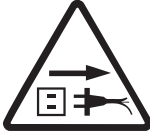





DOBLE AISLAMIENTO: PUESTA A TIERRA NO REQUERIDA. AL REPARAR, USE SOLO PARTES DE REPUESTO IDÉNTICAS.

Esta aspiradora + trituradora eléctrica tiene doble aislamiento y no necesita un sistema separado de conexión a tierra. Use solo partes de repuesto idénticas. Lea las instrucciones antes de reparar artefactos de doble aislamiento. Use esta aspiradora + trituradora eléctrica únicamente como se indica en este manual.

Símbolos de seguridad

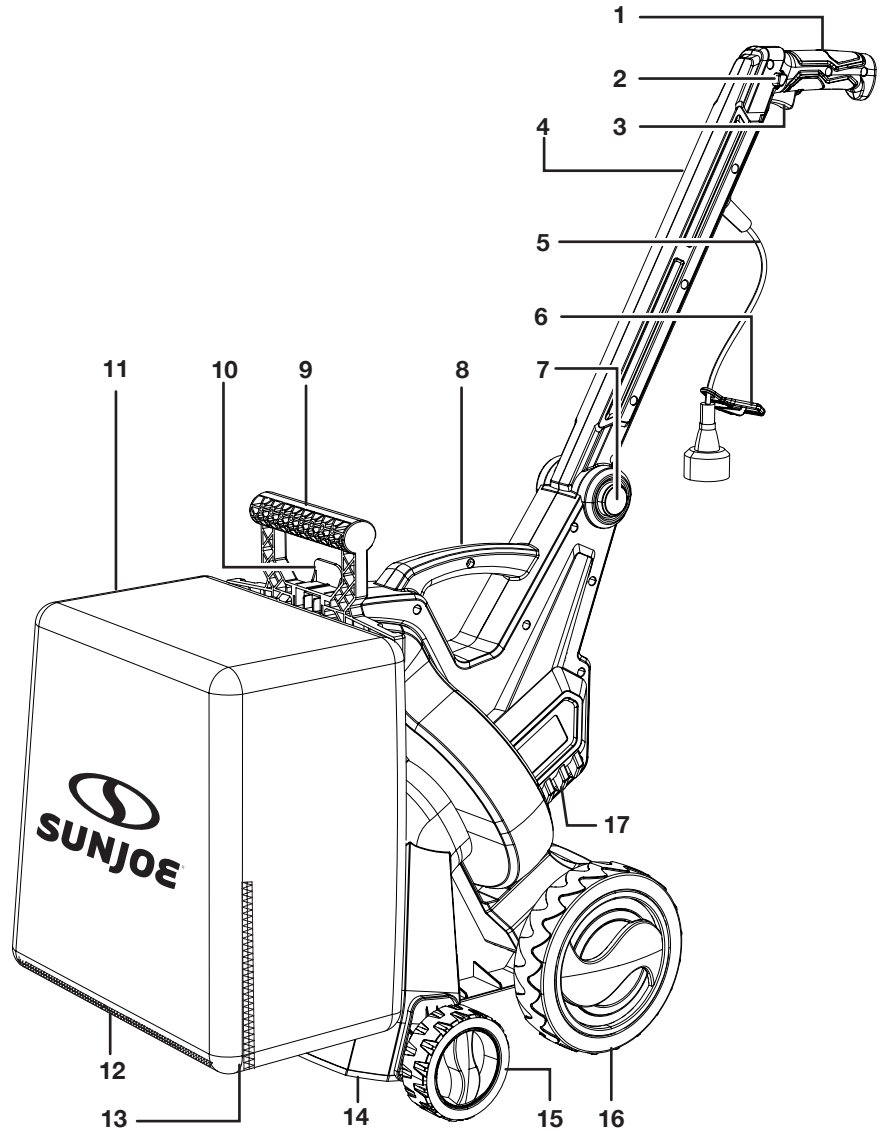
La siguiente tabla muestra y describe los símbolos de seguridad que pueden aparecer en este producto. Lea, comprenda y siga todas las instrucciones de la máquina antes de intentar ensamblarla y operarla.

Símbolo	Descripción	Símbolo	Descripción
	LEA EL(LOS) MANUAL(ES) DEL OPERADOR: lea, comprenda y siga todas las instrucciones en el(los) manual(es) antes de intentar ensamblar y operar la unidad.		Mantenga a los transeúntes y niños alejados a una distancia segura.
	ALERTA DE SEGURIDAD: indica una precaución, advertencia o peligro.		¡ADVERTENCIA! No exponga la unidad a la lluvia ni a entornos mojados.
	Tenga cuidado con objetos y escombros voladores.		Use protección auditiva. Use protección ocular. Use protección respiratoria.
	La parte giratoria seguirá moviéndose durante varios segundos después de que usted haya apagado la máquina.		Retire inmediatamente el enchufe del tomacorriente si el cable de alimentación se daña, desgasta o se enreda. Mantenga siempre el cable de alimentación alejado del calor, aceite o bordes afilados.
	¡PELIGRO! Las hojas giratorias son extremadamente peligrosas. Mantenga las manos y pies alejados de las aberturas mientras la máquina esté funcionando.		¡ADVERTENCIA! Apague la máquina y desconéctela de la fuente de alimentación antes de inspeccionarla, limpiarla, cambiarle accesorios o llevar a cabo cualquier otra tarea de mantenimiento en esta.
	DOBLE AISLAMIENTO: al prestar servicio, use solo partes de repuesto idénticas.		

Conozca su aspiradora + trituradora eléctrica

Lea detenidamente el manual del operador y las instrucciones de seguridad antes de operar la aspiradora + trituradora eléctrica. Compare la ilustración debajo con la aspiradora + trituradora eléctrica para familiarizarse con las ubicaciones de los diversos controles y ajustes. Conserve este manual para futuras referencias.

1. Empuñadura
2. Botón de trabado de seguridad
3. Gatillo interruptor
4. Mango rotable
5. Cable del artefacto
6. Sujetador de cable de extensión
7. Botón de rotación de mango
8. Empuñadura auxiliar
9. Mango de bolsa recolectora
10. Lengüeta de destrabado de bolsa recolectora
11. Bolsa recolectora
12. Cierre de compartimento para polvo de bolsa recolectora
13. Cierre de compartimento para hojas de bolsa recolectora
14. Conducto de aspirado/ entrada de aire
15. Ruedas frontales (x2)
16. Ruedas posteriores (x2)
17. Ranuras de ventilación



Datos técnicos

Motor	13 A	Capacidad de bolsa recolectora	10.6 gal (40 L)
Voltaje nominal	120 V; 60 Hz	Índice de triturado	16:1
Velocidad sin carga	12,800 RPM	Altura de entrada de aire	Baja: 1.4 plg (3.6 cm) Alta: 2.2 plg (5.6 cm)
Flujo máximo de aire de aspirado	1,036 CFM (29.3 m ³ /min)	Tamaño de rueda frontal	4 plg (10 cm)
Velocidad máxima de aire	40 MPH (64 km/hr)	Tamaño de rueda posterior	7 plg (18 cm)
Entrada de residuos	7.9 plg × 5.5 plg (20 cm × 14 cm)	Peso neto	14 lb (6.4 kg)
Longitud de mango	17.7 plg (45 cm)		

Desembalaje

Contenido del paquete:

- Aspiradora + trituradora eléctrica
- Ruedas frontales (x2)
- Cubos de ruedas frontales (x2)
- Bolsa recolectora con estructura de soporte.
- Manual y tarjeta de registro

1. Retire cuidadosamente la aspiradora + trituradora eléctrica y compruebe que todos los artículos anteriores estén incluidos.
2. Inspeccione cuidadosamente el producto para asegurarse de que no haya ocurrido ningún daño o ruptura durante el transporte. Comuníquese con la central de servicio al cliente Snow Joe® + Sun Joe® llamando al 1-866-SNOWJOE (1-866-766-9563).

NOTA: no se deshaga de la caja de transporte ni de los materiales de embalaje hasta que usted esté listo para usar su aspiradora + trituradora eléctrica. El empaquetado está hecho de materiales reciclables. Deseche estos materiales de acuerdo con los reglamentos de su localidad.

¡IMPORTANTE! Este artefacto y sus materiales de embalaje no son juguetes. No deje que los niños jueguen con las bolsas plásticas, láminas o partes pequeñas. ¡Estos objetos pueden ser tragados y representan un riesgo de asfixia!

Ensamblado

⚠ ¡ADVERTENCIA! Para evitar lesiones personales severas, lea y entienda todas las instrucciones de seguridad proporcionadas.

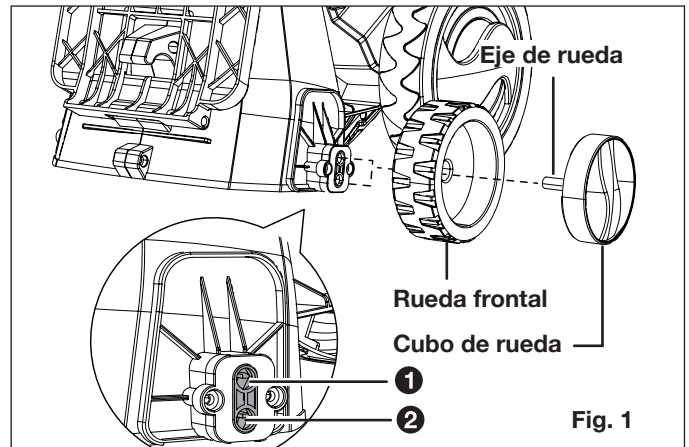
⚠ ¡ADVERTENCIA! No conecte la herramienta a la fuente de alimentación hasta que esté completamente ensamblada. El incumplimiento de esta advertencia puede resultar en un encendido accidental que cause lesiones personales severas.

⚠ ¡ADVERTENCIA! Antes de llevar a cabo cualquier tarea de mantenimiento, asegúrese de que la herramienta esté desenchufada de la fuente de alimentación. No seguir esta advertencia puede resultar en lesiones personales severas.

⚠ ¡ADVERTENCIA! Para evitar lesiones personales severas, asegúrese de que el gatillo interruptor no esté apretado, la unidad esté desenchufada y el rotor se haya detenido por completo antes de instalar o desinstalar la bolsa recolectora.

1. Arme la rueda frontal con el eje de rueda tal como se muestra debajo. Inserte el eje del cubo de la rueda en uno de los orificios ubicados en el lado del conducto de aspirado y gire el cubo en sentido horario hasta que ya no pueda ser girado más (Fig. 1).

NOTA: ajuste la aspiradora para obtener la altura óptima de entrada de aire alineando el eje de rueda con el orificio a la altura correspondiente.



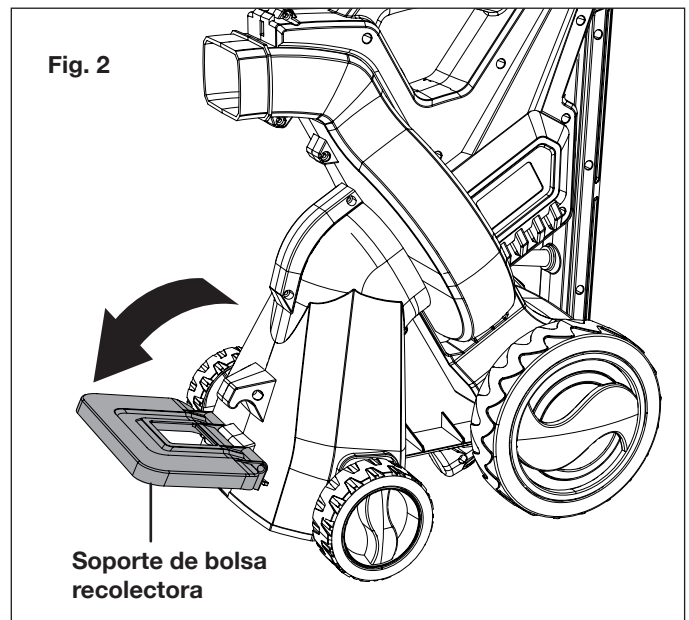
2. Repita el paso anterior de ensamblado para la otra rueda, y asegúrese de que ambas ruedas estén a la misma altura.

Ajuste de altura de dos posiciones:

- 1) Baja: 1.4 plg (3.6 cm); y
- 2) Alta: 2.2 plg (5.6 cm).

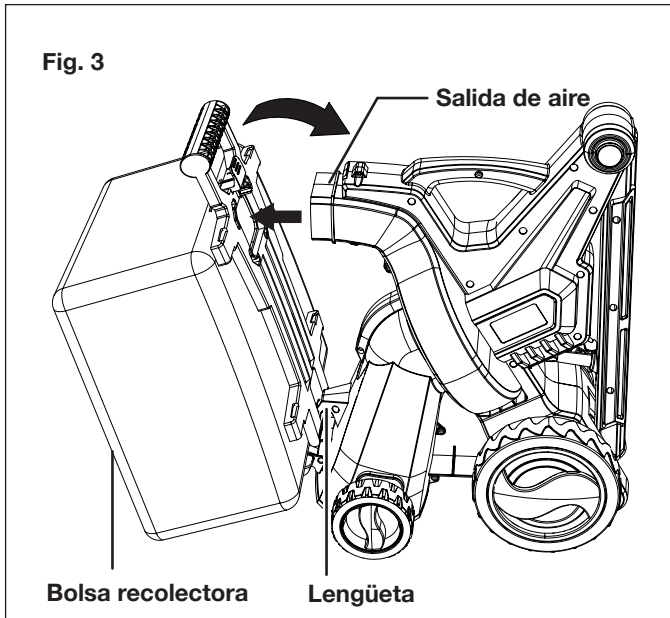
NOTA: seleccione la altura de entrada de aire según el terreno sobre el cual la aspiradora trabajará. Para trabajar en superficies planas, reduzca la altura de entrada de aire. Para trabajar en jardines o superficies desiguales, aumente la altura de entrada de aire.

3. Abra hacia abajo el soporte de bolsa recolectora ubicado en la parte inferior del conducto (Fig. 2).



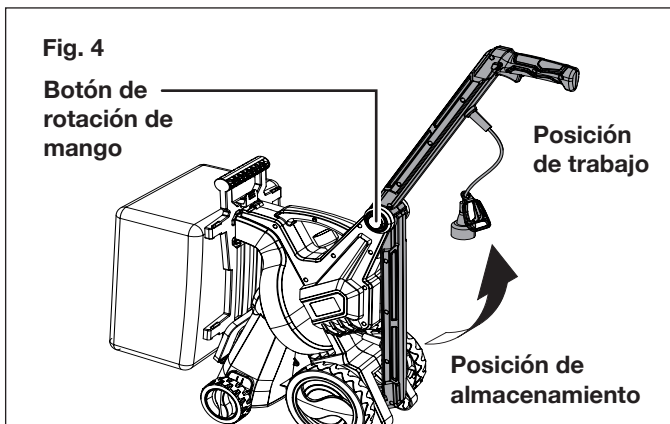
4. Para conectar la bolsa recolectora, primero coloque la parte inferior de la bolsa sobre el soporte de la bolsa recolectora, inserte la lengüeta del conducto dentro del orificio de la parte inferior de la bolsa, y luego alinee e inserte la salida de aire dentro del orificio de la parte

superior de la bolsa. Presione firmemente hasta que la bolsa haga “clic” y se trabe de forma segura en su lugar (Fig. 3).



NOTA: la bolsa recolectora debe estar instalada siempre que la unidad sea operada. La unidad no se encenderá si la bolsa recolectora no está instalada correctamente.

5. Presione los botones de rotación de mango y rote el mango al mismo tiempo hasta que el mango esté totalmente extendido y haga “clic” en la posición de trabajo (Fig. 4).



⚠ ¡ADVERTENCIA! Para evitar lesiones personales, el mango debe estar totalmente extendido a la posición de trabajo durante la operación.

Operación

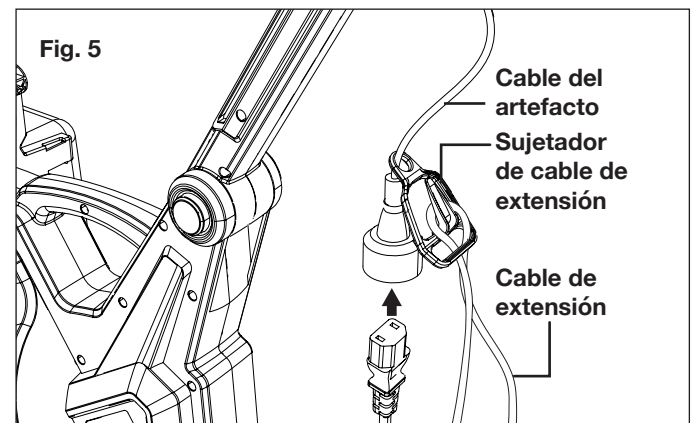
Arranque y parada

No encienda la aspiradora + trituradora eléctrica hasta que haya sido ensamblada por completo. Antes de encender la unidad, verifique siempre que el cable del artefacto y el cable de extensión no muestren señales de daños. Use solo cables intactos.

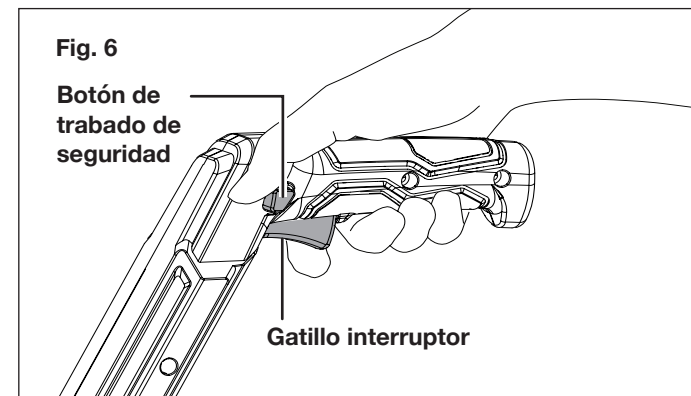
⚠ ¡ADVERTENCIA! Los cables dañados representan un riesgo severo de lesiones personales. Reemplace los cables de extensión dañados inmediatamente.

⚠ ¡ADVERTENCIA! Antes de encender la aspiradora + trituradora eléctrica, asegúrese de que no haga contacto con ningún objeto extraño. Mantenga sus manos y pies a una distancia segura, lejos de la abertura inferior. No obedecer estas advertencias podría causar lesiones personales severas.

1. Haga un bucle con el cable de extensión, empújelo a través de la ranura del sujetador de cable de extensión, desde el lado opuesto, y colóquelo alrededor del gancho sujetador. Conecte el cable del artefacto al cable de extensión (Fig. 5).



2. Para encender la unidad, presione el botón de traba de seguridad y, sin soltarlo, apriete el gatillo interruptor. Una vez que la máquina se encienda, suelte el botón de traba de seguridad y proceda con la operación (Fig. 6).



3. Para detener la unidad, suelte el gatillo interruptor (Fig. 6).

Consejos de operación

Esta aspiradora + trituradora eléctrica está diseñada para limpiar superficies duras como caminos pavimentados, patios y terrazas. Es adecuada solo para aspirar materiales livianos y secos tales como césped, hojas, ramas pequeñas y bellotas. Por ningún motivo la use para aspirar materiales pesados tales como metales, piedras, ramas, vidrios rotos u hojas mojadas.

⚠ ¡ADVERTENCIA! Use la aspiradora + trituradora eléctrica solo durante el día o bajo una buena luz artificial.

- Use equipos de protección personal durante sus labores. Esto incluye botas, gafas protectoras, gafas de seguridad, protección auditiva, pantalones largos y una camisa de manga larga.
- Asegúrese de que la bolsa recolectora esté instalada y cerrada correctamente.
- Para reducir el riesgo de pérdida auditiva asociada con los niveles de ruido, se requiere de protección para los oídos.
- Antes de encender la unidad, asegúrese de que el mango esté colocado de forma segura en la posición de trabajo.
- Siempre dirija el cable de extensión hacia atrás, lejos de la unidad.
- Opere la máquina eléctrica solo a horas razonables, ni muy temprano en la mañana ni muy tarde en la noche para evitar perturbar a los demás. Obedezca los horarios establecidos en los reglamentos locales. Recomendamos el horario de 9:00 AM a 5:00 PM, de lunes a sábado.
- Tenga sumo cuidado al trabajar en pendientes.
- Siempre avance hacia adelante caminando. Nunca corra.
- Para reducir los niveles de ruido, limite el número de unidades motorizadas funcionando a la vez.
- Limpie luego de usar aspiradoras u otros equipos de jardín. Deshágase adecuadamente de los desechos.

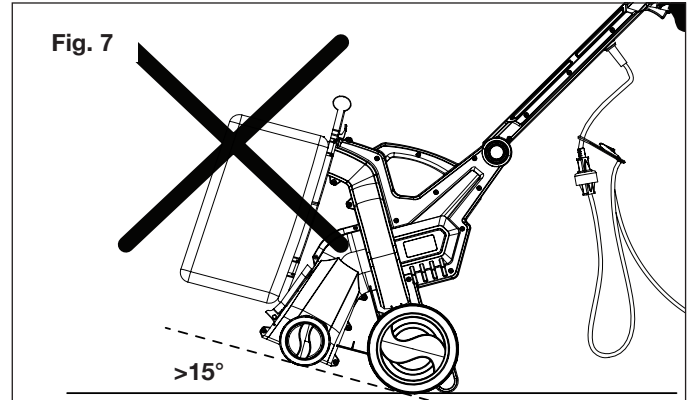
⚠ ¡ADVERTENCIA! Para evitar lesiones personales severas, utilice protección auditiva y gafas de seguridad o protectoras siempre que opere esta unidad. Use una máscara antipolvo o para el rostro en lugares polvorientos.

Procedimiento básico de aspirado + triturado

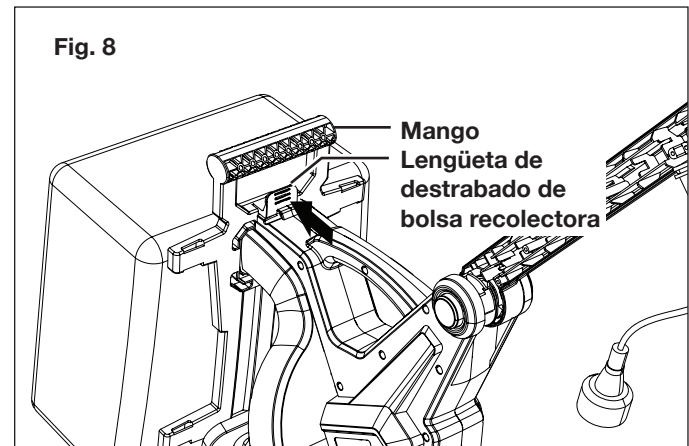
- Asegúrese de que la aspiradora sea estable y que todas las ruedas estén en contacto con el piso.
NOTA: la unidad no arrancará si cualquiera de las dos ruedas traseras no hacen contacto con el piso.
- Siempre párese detrás de la unidad. No encienda la unidad cuando haya gente arrodillada o sentada cerca a esta.
- Sujetando firmemente la empuñadura, mueva la unidad de forma lenta y estable para colocar la entrada de aire sobre los residuos a ser aspirados. Los residuos serán aspirados hacia la bolsa. Objetos como hojas pequeñas y ramitas

serán triturados a medida que van pasando a través del rotor. Para un ciclo de vida útil más prolongado de la bolsa y un óptimo rendimiento de esta, vacíela con frecuencia.

- Durante la operación, no presione la empuñadura para levantar el frente de la aspiradora. Si se levanta más de 15°, la máquina se apagará y no funcionará (Fig. 7).



- Durante la operación, mantenga las ranuras de ventilación desbloqueadas. Las ranuras de ventilación bloqueadas causarán que la máquina se sobrecaliente.
- Cuando la bolsa esté llena, la potencia de succión de la máquina se reducirá. Suelte el gatillo interruptor y desenchufe la unidad de la fuente de alimentación. Presione la lengüeta de destrabado y, al mismo tiempo, jale la bolsa fuera de la unidad por su mango (Fig. 8).



- Para vaciar la bolsa, sujete el mango de plástico y abra ambos cierres de la bolsa. Sacuda la bolsa y expulse las hojas y residuos.

NOTA: esta unidad está equipada con una función de filtrado de polvo que separa el mantillo acumulado del polvo fino. Para un rendimiento óptimo, se recomienda vaciar ambos compartimientos después de cada uso.

⚠ ¡ADVERTENCIA! Para evitar lesiones personales severas, asegúrese de que el gatillo no esté apretado, la unidad esté desenchufada y el rotor se haya detenido por completo antes de instalar o desinstalar la bolsa recolectora.

Mantenimiento

Para ordenar partes de repuesto o accesorios genuinos de su aspiradora + trituradora eléctrica SBJ807E de Sun Joe®, visite sunjoe.com o comuníquese con la central de servicio al cliente Snow Joe® + Sun Joe® llamando al 1-866-SNOWJOE (1-866-766-9563).

⚠ ¡ADVERTENCIA! Desconecte el cable de extensión antes de realizar cualquier tarea de mantenimiento.

Si el cable de extensión está enchufado al artefacto, alguien puede accidentalmente encenderlo mientras usted esté reparándolo, lo cual puede causar lesiones personales severas.

Despeje de la entrada/ salida obstruida

Durante el proceso de aspirado, ciertos objetos tales como telas, cuerdas o ramas de diámetro grande pueden obstruir y bloquear la entrada/ salida de aire. Un dispositivo de protección térmica, incorporado a la aspiradora + trituradora eléctrica, interrumpirá el flujo de electricidad hacia el motor para evitar daños por sobrecalentamiento. Si esto ocurre, siga las instrucciones a continuación para despejar la entrada/ salida de aire obstruida.

⚠ ¡ADVERTENCIA! Para evitar lesiones personales severas, asegúrese de que la unidad esté APAGADA y desenchufada antes de despejar la entrada de aire.

⚠ ¡ADVERTENCIA! Para evitar lesiones personales severas, use siempre guantes para protegerse de cualquier objeto afilado.

1. Suelte el gatillo interruptor y espere a que la unidad se detenga por completo.
2. Desenchufe la unidad.
3. Retire la bolsa recolectora.
4. Voltee la máquina a uno de sus lados para exponer la entrada de aire. Usando guantes protectores, cuidadosamente alcance y retire el material que bloquea el conducto de la entrada de aire. Compruebe que no haya ocurrido ningún daño.
5. Reinstale la bolsa recolectora. Espere tres minutos para que el motor se enfríe.
6. Enchufe la unidad de vuelta a la fuente de alimentación y enciéndala. La aspiradora + trituradora eléctrica volverá a funcionar con normalidad.

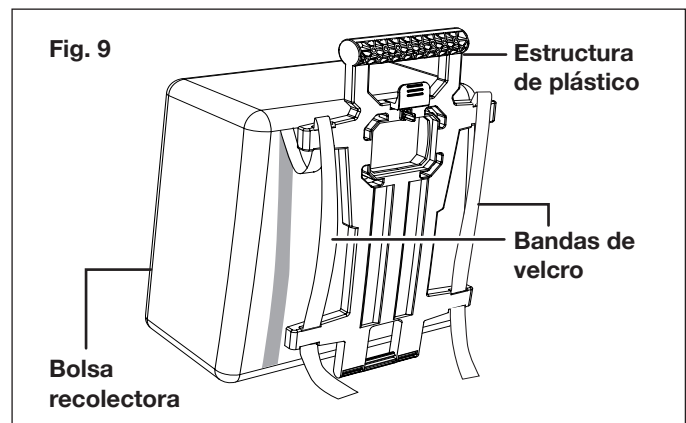
Limpieza de la unidad

⚠ ¡ADVERTENCIA! Para evitar lesiones personales severas, siempre apague la unidad y desenchúfela antes de limpiarla o repararla.

Use un cepillo pequeño para limpiar el exterior de la unidad. No use detergentes fuertes, limpiadores caseros que contengan aceites aromáticos (p. ej., pino o limón) o solventes

agresivos tales como kerosene ya que estas sustancias pueden dañar la carcasa plástica o el mango. Retire cualquier humedad con un paño suave y seco.

1. Vacíe la bolsa luego de cada uso para evitar su deterioro y la obstrucción del flujo de aire que perjudicarán el rendimiento de la trituradora.
2. Use gafas protectoras y una máscara antipolvo. Limpie la bolsa según sea necesario. Invierta la bolsa luego del vaciado inicial y sacúdala vigorosamente para sacar el polvo y residuos.
3. Lave la bolsa una vez al año, o más a menudo de ser necesario. Siga estas instrucciones:
 - i. Retire la bolsa.
 - ii. Desenganche las dos bandas de velcro usadas para asegurar la bolsa a la estructura de soporte, y suelte la cuerda usada para fijar la bolsa a la ranura superior de la estructura. Retire la bolsa recolectora de la estructura (Fig. 9).



- iii. Invierta la bolsa.
- iv. Cuélguela.
- v. Lávela a fondo con un chorro de agua de manguera.
- vi. Déjela colgando para que se seque.
- vii. Voltee la bolsa a su forma correcta y reinstálela.

Almacenamiento

1. Examine la aspiradora + trituradora eléctrica cuidadosamente y compruebe que no haya partes gastadas, sueltas o dañadas. En caso de necesitar una reparación o reemplazar una parte, contacte a un concesionario autorizado Snow Joe® + Sun Joe® o comuníquese con la central de servicio al cliente Snow Joe® + Sun Joe® llamando al 1-866-SNOWJOE (1-866-766-9563) para obtener asistencia.
2. Examine el cable de extensión cuidadosamente y busque señales de desgaste o daños. Si está gastado o dañado, reemplácelo inmediatamente.
3. Desconecte el cable de extensión de la aspiradora + trituradora eléctrica antes de guardarla.

4. Guarde la aspiradora + trituradora eléctrica en un lugar cerrado, limpio, seco y bajo llave, lejos del alcance de los niños y animales.

NOTA: los dispositivos de sujeción de cables de extensión están disponibles en el mercado, en caso de que usted desee comprar uno.

Servicio y soporte


Si su aspiradora + trituradora eléctrica SBJ807E de Sun Joe® requiere servicio o mantenimiento, comuníquese con la central de servicio al cliente Snow Joe® + Sun Joe® llamando al 1-866-SNOWJOE (1-866-766-9563).

Modelo y número de serie

Al comunicarse con la empresa, ordenar partes de repuesto o programar una reparación en un centro autorizado, usted necesitará proporcionar el modelo y número de serie, los cuales se encuentran en la etiqueta ubicada en la carcasa de la unidad. Copie estos números en el espacio proporcionado a continuación.

Registre los siguientes números que se encuentran en la carcasa o mango de su nuevo producto:	
Modelo:	
S B J 8 0 7 E	
Nº de serie:	

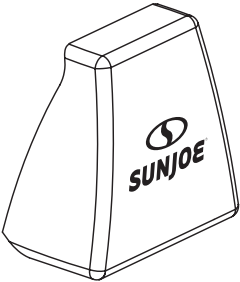
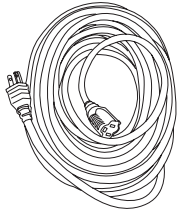
Solución de problemas.

 **¡ADVERTENCIA!** Siempre desenchufe el cable de alimentación antes de realizar cualquier tarea de ajuste, mantenimiento o reparación a su aspiradora + trituradora eléctrica.

Problema	Causa posible	Solución
La unidad no aspira.	<ol style="list-style-type: none"> 1. Bolsa llena. 2. Obstrucción en entrada/ salida de aire. 3. Turbina atascada. 4. Bolsa sucia. 5. Bolsa desgarrada. 6. Bolsa abierta. 7. Unidad desenchufada. 	<ol style="list-style-type: none"> 1. Vacíe la bolsa. 2. Despeje el bloqueo 3. Despeje el bloqueo 4. Limpie la bolsa. 5. Reemplace la bolsa. 6. Cierre la bolsa. 7. Enchufe en un tomacorriente o cable de extensión.
La unidad no enciende.	<ol style="list-style-type: none"> 1. Unidad desenchufada. 2. El gatillo interruptor no está apretado correctamente. 3. Gatillo interruptor defectuoso. 4. La red eléctrica de la vivienda pudo haberse disparado. 5. La bolsa recolectora no está instalada correctamente. 6. El mango no está totalmente extendido. 7. La unidad está inclinada. 8. La unidad está sobrecalentada. 	<ol style="list-style-type: none"> 1. Revise el cable para asegurarse de que esté enchufado a un tomacorriente. 2. Presione el botón de trabado de seguridad y, sin soltarlo, luego apriete el gatillo interruptor. 3. Comuníquese con la central de servicio al cliente de Snow Joe® + Sun Joe® llamando al 1-866-SNOWJOE (1-866-766-9563). 4. Inspeccione el panel del disyuntor de pared y reestablézcalo de ser necesario. 5. Instale la bolsa recolectora de forma segura. 6. Extienda el mango hasta que haga "clic" en su posición. 7. Coloque la unidad de forma estable con sus cuatro ruedas sobre el piso. 8. Desenchufe la unidad, retire toda obstrucción, y deje que se enfríe por un rato.

Accesorios opcionales

⚠ ¡ADVERTENCIA! USE SIEMPRE solo partes de repuesto y accesorios autorizados de Snow Joe® + Sun Joe®. NUNCA use partes de repuesto o accesorios que no estén destinados para su uso con esta aspiradora + trituradora eléctrica. Comuníquese con Snow Joe® + Sun Joe® si tiene dudas sobre si es seguro usar una parte de repuesto o accesorio en particular con su aspiradora + trituradora eléctrica. El uso de cualquier otro accesorio o parte puede ser peligroso y puede causar lesiones personales o daños mecánicos.

Accesorio	Descripción	Modelo
<p>①</p> 	<p>Bolsa recolectora de 10.6 gal (40 L)</p>	<p>SBJ807E-BAG</p>
<p>②</p> 	<p>Cable de extensión de 50 pies y calibre 14 Snow Joe® + Sun Joe® SJTW-A con extremo iluminado</p>	<p>PJEXT50-B</p>

NOTA: los accesorios están sujetos a cambios sin obligación alguna por parte de Snow Joe® + Sun Joe® de notificar sobre dichos cambios. Los accesorios se pueden ordenar en línea visitando sunjoe.com o por teléfono llamando a la central de servicio al cliente Snow Joe® + Sun Joe® llamando al 1-866-SNOWJOE (1-866-766-9563).



LA PROMESA DE SNOW JOE® + SUN JOE® AL CLIENTE

POR SOBRE TODO, en Snow Joe, LLC (“Snow Joe”) estamos dedicados a usted, nuestro cliente. Nos esforzamos por hacer que su experiencia sea lo más placentera posible. Desafortunadamente, hay veces en que un producto Snow Joe®, Sun Joe®, o Aqua Joe® (el “Producto”) no funciona o sufre un desperfecto bajo condiciones normales de operación. Creemos que es importante que usted sepa que puede confiar en nosotros. Es por eso que tenemos esta Garantía Limitada (la “Garantía”) para nuestros Productos.

NUESTRA GARANTÍA:

Snow Joe garantiza que sus Productos motorizados y no motorizados, nuevos y genuinos, están libres de defectos materiales o de mano de obra al ser usados en tareas domésticas normales durante un periodo de dos (2) años a partir de la fecha de compra por parte del comprador original y usuario final, cuando este último los compra a través de Snow Joe o un vendedor autorizado por Snow Joe y ha obtenido un comprobante de compra. Ya que Snow Joe no puede controlar la calidad de sus Productos vendidos por vendedores no autorizados, a menos que la ley lo prohíba esta Garantía no cubre Productos adquiridos a través de vendedores no autorizados. Si su Producto no funciona, o hay un problema con una parte específica que está cubierta por los términos de esta Garantía, Snow Joe elegirá entre: (1) enviarle una parte de repuesto gratuita; (2) reemplazar el Producto con uno nuevo o similar sin costo alguno; o (3) reparar el Producto. ¡Un excelente soporte!

Esta Garantía le da derechos legales específicos, y usted puede también tener otros derechos según el Estado.

REGISTRO DEL PRODUCTO:

Snow Joe le recomienda enfáticamente registrar su Producto. Usted puede registrar su Producto en línea visitando snowjoe.com/register, imprimiendo y enviando por correo una tarjeta de registro disponible en línea en nuestro sitio Web, llamando a nuestra central de servicio al cliente al **1-866-SNOWJOE (1-866-766-9563)**, o enviándonos un e-mail a help@snowjoe.com. Si usted no registra su Producto sus derechos de garantía no disminuirán; sin embargo, registrar su Producto permitirá que Snow Joe le pueda atender mejor si usted tiene alguna necesidad como cliente.

¿QUIÉN PUEDE SOLICITAR COBERTURA DE GARANTÍA LIMITADA?

Esta Garantía es otorgada por Snow Joe al comprador original y propietario original del Producto.

¿QUÉ NO ESTÁ CUBIERTO?

Esta Garantía no se aplica si el Producto ha sido usado de forma comercial o en aplicaciones no domésticas o de alquiler. Esta Garantía tampoco se aplica si el Producto fue adquirido desde un vendedor no autorizado. Esta garantía tampoco cubre cambios cosméticos que no afecten el funcionamiento del Producto. Las partes desgastables como correas, brocas y cuchillas no están cubiertas por esta Garantía, y pueden ser compradas visitando snowjoe.com o llamando al **1-866-SNOWJOE (1-866-766-9563)**.

IMPORTANT!

Consignes de sécurité

Tous les utilisateurs doivent lire ces instructions avant d'utiliser la machine

Tout appareil électrique peut être dangereux s'il est mal utilisé. Certaines des consignes de sécurité fournies dans ce manuel s'appliquent généralement à de nombreux appareils. D'autres avertissements sont spécifiques à l'utilisation de cet aspirateur électrique.

Suivez toujours ces consignes de sécurité. Ne pas s'y conformer peut entraîner de graves blessures pouvant même être fatales.

⚠ DANGER! Ceci indique une situation dangereuse qui, en l'absence de précautions, entraînera des blessures graves ou même fatales.

⚠ AVERTISSEMENT! Ceci indique une situation dangereuse qui, en l'absence de précautions, pourrait entraîner des blessures graves ou même fatales.

⚠ MISE EN GARDE! Ceci indique une situation dangereuse qui pourrait entraîner des blessures mineures, voire même modérément graves, si les consignes ne sont pas suivies.

Sécurité générale

POUR USAGE DOMESTIQUE UNIQUEMENT

Avant d'utiliser la machine, assurez-vous que toutes les personnes l'utilisant ont lu et compris toutes les consignes de sécurité et les autres informations fournies dans ce manuel. Conservez ce manuel et consultez-le fréquemment avant d'utiliser cette machine et lorsque vous apprenez à d'autres personnes les procédures d'utilisation appropriées.

⚠ MISE EN GARDE! Porter des protecteurs d'oreille pendant l'utilisation. Après de longues périodes d'utilisation, le bruit généré par cette machine peut entraîner des pertes auditives si les oreilles ne sont pas convenablement protégées.

⚠ AVERTISSEMENT! Pour réduire le risque de dommages corporels, inspecter fréquemment le sac de ramassage et le remplacer par un sac de rechange recommandé s'il présente des signes d'usure ou de détérioration.

Avant d'utiliser l'aspiro-broyeur électrique, prenez le temps de vous familiariser avec les commandes, spécialement la façon d'arrêter l'aspiro-broyeur électrique en cas d'urgence. Les seules personnes qui devraient utiliser l'aspirateur sont celles qui comprennent parfaitement les instructions et qui savent comment utiliser la machine. Les enfants ne devraient jamais être autorisés à avoir accès à l'aspirateur.

Conservez ce manuel pour pouvoir le consulter dans le futur.

- 1. Maintenir la zone de travail propre et bien éclairée** – Les endroits encombrés et sombres sont propices aux accidents.
- 2. Pièces de rechange** – Pour réparer cette machine, utilisez uniquement des pièces de rechange identiques. Remplacez ou réparez immédiatement tout cordon endommagé.
- 3. Maintenir à l'écart les enfants, les spectateurs et les animaux familiers** – Tous les spectateurs, notamment les animaux familiers, doivent être maintenus à une distance de sécurité de la zone de travail.
- 4. S'habiller en conséquence** – Ne portez ni vêtements amples ni bijoux, ceux-ci pouvant se prendre dans les pièces mobiles. Les cheveux longs doivent être ramassés sous un couvre-chef. Pour tout travail à l'extérieur, il est recommandé de porter des gants en caoutchouc et des chaussures antidérapantes et suffisamment montantes.
- 5. Rallonges électriques** – Pour éviter de vous électrocuter, utilisez uniquement une rallonge prévue pour l'extérieur.
- 6. Éviter tout démarrage accidentel** – Ne transportez pas l'aspirateur en maintenant le doigt sur la gâchette. Avant de brancher la machine, assurez-vous que le bouton-poussoir de sécurité n'est pas enfoncé.

⚠ DANGER! Ne pas insérer manuellement des objets dans l'entrée d'aspiration pendant l'utilisation de la machine, ceci pouvant gravement endommager le système ou blesser l'utilisateur. Lorsque la machine est en marche, garder les deux mains à bonne distance de l'entrée d'aspiration.

NE PAS ESSAYER de retirer ou de retenir quoi que ce soit destiné à être aspiré quand l'aspirateur est en marche. Avant de retirer tout ce qui obstrue l'entrée d'aspiration, s'assurer que l'aspirateur est éteint.

⚠ MISE EN GARDE! Les pièces mobiles continueront de tourner plusieurs secondes après avoir arrêté la machine.

7. **Ne pas malmenier le cordon** – Ne tirez jamais l'aspirateur par le cordon et ne tirez pas brusquement sur le cordon pour le retirer de la prise. Maintenez le cordon éloigné de la chaleur, de l'huile et des arêtes vives.
8. **Pièces mobiles** – Gardez les mains et les pieds éloignés des pièces mobiles. Maintenez les dispositifs de protection en place et en bon ordre de marche.
9. **Ne pas forcer la machine** – Elle fonctionnera mieux, sera moins dangereuse et moins susceptible de tomber en panne si elle est utilisée au régime du moteur pour lequel elle a été conçue.
10. **Porter un équipement de protection individuel** – Lorsque vous utilisez cette machine, portez des lunettes de sécurité ou de protection munies d'écrans latéraux pour vous protéger efficacement les yeux. Portez des protecteurs d'oreille pour prévenir toute diminution de l'acuité auditive. Utilisez un protecteur facial ou un masque antipoussières si l'environnement de travail est poussiéreux.
11. **Débrancher la machine** – Débranchez l'aspirateur lorsque vous ne l'utilisez pas, avant d'intervenir dessus, lorsque vous changez d'accessoire ou effectuez toute autre tâche d'entretien.
12. **Lorsqu'elle n'est pas utilisée, ranger la machine à l'intérieur** – Si vous ne l'utilisez pas, l'aspirateur doit être remis à l'intérieur dans un endroit sec et sous clé, hors de portée des enfants.
13. **Entretien l'aspirateur avec soin** – Pour un rendement optimal et pour réduire le risque de blessures, maintenez l'entrée et la sortie d'air ainsi que le voisinage du rotor sans obstructions et propres. Inspectez périodiquement la rallonge électrique et remplacez-la si elle est endommagée. Maintenez les poignées sèches, propres et exemptes d'huile et de graisse. Suivez les recommandations complémentaires décrites dans la section Entretien de ce manuel.
14. **Utiliser la bonne machine** – N'utilisez pas la machine pour des travaux différents de ceux auxquels elle est destinée.
15. **Éviter les endroits dangereux** – N'utilisez pas l'aspirateur sous la pluie ou dans les endroits humides. N'utilisez pas non plus l'aspirateur quand il y a du gaz dans l'air ou quand l'atmosphère est explosive ou pour aspirer des liquides inflammables ou combustibles. Le moteur de ce type de machines fait des étincelles qui peuvent enflammer les vapeurs.
16. **Rester vigilant** – Surveillez ce que vous faites. Faites preuve de bon sens. N'utilisez pas l'aspirateur si vous êtes fatigué, si vous êtes sous l'emprise de l'alcool ou de la drogue ou si vous avez pris des médicaments.
17. **Vérifier si des pièces sont endommagées** – Avant d'utiliser la machine, inspectez-la soigneusement pour vérifier que les dispositifs de protection ou toute autre

pièce ne sont pas endommagés et pour vous assurer qu'elle fonctionne correctement pour l'utilisation à laquelle elle est destinée. Vérifiez l'alignement des pièces mobiles, l'absence de grippage des pièces mobiles, de rupture de pièce, le montage et tout autre problème susceptible d'entraver le bon fonctionnement de la machine. Sauf indication contraire figurant ailleurs dans ce manuel, tout dispositif de protection ou toute autre pièce endommagés doivent être réparés ou remplacés par un centre d'entretien et de réparation agréé.

Sécurité personnelle

- Restez en permanence sur vos deux pieds pour ne pas perdre l'équilibre. Ne vous arc-boutez pas. Vous pourriez perdre l'équilibre en vous arc-boutant.
- Désactivez toutes les commandes avant de débrancher la machine.
- N'utilisez pas la machine si l'interrupteur ne réussit pas à la mettre en marche ou à l'arrêter. Une machine électrique qui ne répond pas aux commandes de l'interrupteur est dangereuse et doit être réparée.
- N'utilisez pas la machine si une fiche du cordon est endommagée. Si la machine ne fonctionne pas comme elle le devrait, ou si elle est tombée, a été endommagée, laissée à l'extérieur ou si elle est tombée dans de l'eau, retournez-la à un revendeur Snow Joe® + Sun Joe® agréé ou communiquez avec le service à la clientèle Snow Joe® + Sun Joe® au 1-866-SNOWJOE (1-866-766-9563).
- N'aspirez pas ce qui brûle ou ce qui fume, par exemple les cigarettes, les allumettes ou les cendres chaudes.
- N'utilisez pas la machine sans que le sac de ramassage soit en place.
- Inspectez soigneusement la machine avant de l'utiliser et suivez toutes les consignes sur les étiquettes ou marquées sur la machine.
- Débranchez toujours cette machine avant de poser ou de retirer le sac de ramassage.
- N'utilisez pas cette machine lorsque les matériaux à souffler sont humides.
- Pendant son utilisation, assurez-vous que la machine est mise à la terre de façon appropriée.
- Ne laissez jamais un enfant utiliser la machine.
- Maintenez toutes les parties du corps éloignées de toutes les pièces mobiles et de toutes les surfaces chaudes de la machine.
- N'insérez rien dans les ouvertures de la machine. N'utilisez pas la machine si la moindre ouverture est obstruée. Maintenez toutes les ouvertures exemptes de poussière, de peluche, de cheveux et de tout ce qui peut réduire le débit d'air.
- Inspectez la zone de travail avant chaque utilisation. Retirez tout ce qui pourrait être rejeté par la machine ou qui pourrait se prendre dedans, par exemple des roches, des éclats de verre, des clous, du fil de fer ou de la ficelle.

- Toute intervention sur la machine doit être effectuée uniquement par du personnel qualifié. Les réparations et entretiens effectués par du personnel non qualifié sont susceptibles de blesser l'utilisateur ou d'endommager la machine.
- Cet aspirateur est destiné uniquement à un usage résidentiel. L'utilisation commerciale de cette machine est interdite et annule la garantie du fabricant.
- N'arrosez ou n'aspergez jamais de l'eau ou tout autre liquide sur la machine. Nettoyez la machine après chaque utilisation comme le décrit la section Nettoyage et remisage.
- Empêchez les cordons électriques, les sacs en plastique ou tout ce qui y ressemble d'être aspirés, car ils pourraient s'enrouler autour du rotor et entraîner la surcharge ou le blocage du moteur. Si cela se produit, éteignez l'aspirateur. Ne continuez pas à presser la gâchette de l'aspirateur si le moteur est en surcharge ou s'il est bloqué.
- Placez toujours la machine en position debout lorsque vous l'utilisez. Ne l'utilisez pas si elle est inclinée d'un côté ou si elle est retournée.

Sécurité électrique

1. Des dispositifs de protection contre les défauts de terre (disjoncteurs de fuite de terre) doivent être fournis sur les circuits ou les prises utilisés pour l'aspirateur. Des prises intégrant un DDFT sont offertes et peuvent être utilisées pour répondre à cette mesure de sécurité.
2. Pour éviter une secousse électrique, utilisez uniquement une rallonge électrique appropriée pour l'extérieur, par exemple les modèles SW-A, SOW-A, STW-A, STOW-A, SJW-A, SJOW-A, SJTW-A ou SJTOW-A.

Avant son utilisation, vérifiez que la rallonge électrique est en bon état. Lorsque vous utilisez une rallonge électrique, assurez-vous qu'elle soit de calibre suffisant pour le courant que votre machine va consommer. Une rallonge sous-dimensionnée provoquera une chute de tension dans les lignes, ce qui entraînera une perte de puissance et une surchauffe.



AVERTISSEMENT



Toute secousse électrique peut entraîner des BLESSURES GRAVES pouvant même être FATALES. Tenir compte de ces avertissements :

- Ne laisser aucune pièce de l'aspiro-broyeur électrique entrer en contact avec de l'eau pendant son utilisation. Si la machine se mouille quand elle est à l'arrêt, l'essuyer avant de la redémarrer.
- Utiliser uniquement une rallonge électrique homologuée UL, CSA ou ETL, recommandée pour une utilisation à l'extérieur et tout temps, par exemple la rallonge électrique de 15 m et de calibre 14 Snow Joe® + Sun Joe® SJTW-A à extrémités éclairées (modèle PJEXT50-B). Veuillez vous rendre sur le site sunjoe.com pour acheter en ligne cette rallonge électrique ou, pour la commander par téléphone, appelez le 1-866-SNOWJOE (1-866-766-9563).
- Ne pas utiliser de rallonge électrique d'une longueur supérieure à 30 m.
- Ne pas toucher la machine ou sa fiche les mains mouillées ou les pieds dans l'eau. Le port de bottes de caoutchouc offre une certaine protection.

TABLEAU DES CARACTÉRISTIQUES DES RALLONGES ÉLECTRIQUES

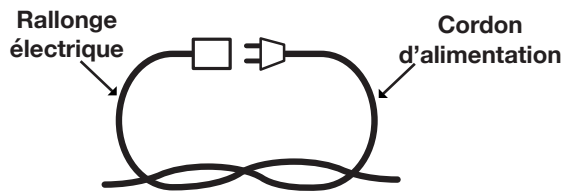
Longueur de rallonge électrique	Jusqu'à 15 m	De 15 m à 30 m
Calibre de fil (AWG)	14	12

3. Pour réduire le risque de secousse électrique, cette machine est munie d'une fiche polarisée (c.-à-d., une lame est plus large que l'autre). Utilisez uniquement une rallonge à fiche polarisée, homologuée UL (certifiée CSA au Canada) et recommandée pour une utilisation à l'extérieur. La fiche de la machine ne s'insère que d'une seule façon dans une rallonge à fiche polarisée.

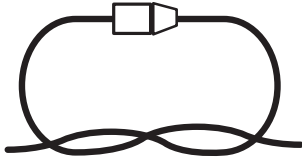
Si la fiche de la machine ne rentre pas complètement dans la rallonge, inversez-la. Si la fiche ne s'insère toujours pas, procurez-vous une rallonge à fiche polarisée adéquate. Une rallonge à fiche polarisée nécessite l'utilisation d'une prise de courant murale polarisée. La fiche polarisée de la rallonge ne s'insère que d'une seule façon dans la prise de courant murale polarisée. Si la fiche ne rentre pas complètement dans la prise de courant murale, inversez-la. Si la fiche ne s'insère toujours pas, communiquez avec un électricien qualifié pour qu'il pose une prise de courant murale adéquate. Ne modifiez pas, d'une manière ou d'une autre, la fiche de la machine, la prise de la rallonge ou la fiche de la rallonge.

4. Pour empêcher que le cordon de la machine se débranche de la rallonge électrique pendant son utilisation, faites un nœud avec les deux cordons comme l'indique l'illustration du Tableau 1.

Tableau 1. Méthode d'attache de rallonge électrique




(A) Nouer les cordons comme sur l'illustration



(B) Brancher la fiche dans la prise

5. Ne malmenez pas le cordon. Ne tirez jamais l'aspirateur par le cordon et ne tirez pas brusquement sur le cordon pour le retirer de la prise. Maintenez le cordon éloigné de la chaleur, de l'huile et des arêtes vives.

Outils et machines à double isolation

Les outils ou machines à double isolation sont dotés de deux systèmes d'isolation au lieu d'une mise à la terre. Aucune mise à la terre n'est prévue sur les outils ou machines à double isolation et aucune mise à la terre ne doit être ajoutée. Toute intervention sur un outil ou une machine à double isolation exige une attention extrême et une parfaite connaissance du système et doit être effectuée uniquement par du personnel technique qualifié chez un revendeur Snow Joe® + Sun Joe® agréé. Les pièces de rechange pour un outil ou une machine à double isolation doivent être identiques aux pièces d'origine. Les indications « Double Insulation » (Double isolation) ou « Double Insulated » (Doublement isolé) sont marquées sur tous les outils ou machines à double isolation. Le symbole  (carré dans un carré) peut être également marqué sur l'outil ou la machine.








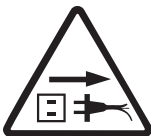





DOUBLE ISOLATION : MISE À LA TERRE NON REQUISE. POUR LES RÉPARATIONS, UTILISER UNIQUEMENT DES PIÈCES DE RECHANGE IDENTIQUES.

Cet aspiro-broyeur électrique est à double isolation, éliminant ainsi la nécessité d'une installation séparée de mise à la terre. Utilisez uniquement des pièces de rechange identiques. Lisez les instructions avant d'intervenir sur une machine à double isolation. Utilisez cet aspirateur comme décrit dans ce manuel.

Symboles de sécurité

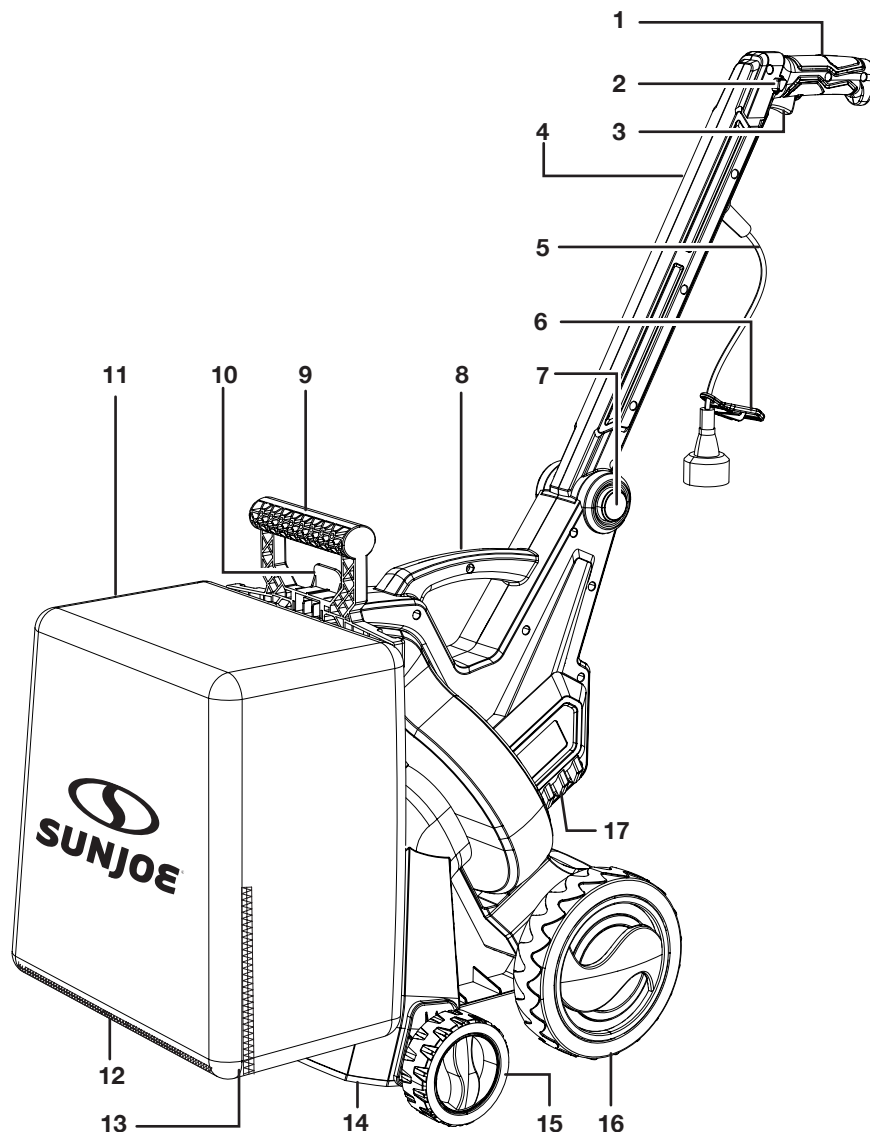
Le tableau suivant décrit et explique les symboles de sécurité pouvant être marqués sur cette machine. Avant d'essayer de procéder à son assemblage et de l'utiliser, lisez, comprenez et suivez toutes les instructions sur cette machine.

Symboles	Descriptions	Symboles	Descriptions
	LIRE LE OU LES MANUELS D'UTILISATION – Lire, comprendre et suivre toutes les instructions du ou des manuels avant d'essayer d'assembler et d'utiliser la machine.		Maintenir les spectateurs et les enfants à une distance de sécurité.
	ALERTE DE SÉCURITÉ – Indique une précaution, un avertissement ou un danger.		AVERTISSEMENT! Ne pas exposer la machine à la pluie ou une forte humidité.
	Prendre garde aux objets et débris volants.		Porter des protecteurs d'oreille. Porter des lunettes de protection. Porter un masque respiratoire.
	La pièce rotative continuera de tourner pendant plusieurs secondes après avoir arrêté la machine		Retirer immédiatement la fiche de la source d'alimentation électrique si le cordon d'alimentation est endommagé, effiloché ou emmêlé. Toujours maintenir le cordon d'alimentation éloigné des sources de chaleur, de l'huile et des arêtes vives.
	DANGER! Les lames rotatives présentent des risques de blessures graves. Tenir les mains et les pieds éloignés des ouvertures lorsque la machine est en marche.		AVERTISSEMENT! Arrêter la machine et la débrancher de la source d'alimentation électrique avant de l'inspecter, la nettoyer, changer d'accessoire ou conduire toute autre tâche d'entretien.
	DOUBLE ISOLATION : pour les réparations, utiliser uniquement des pièces de rechange identiques.		

Apprenez à mieux connaître votre aspiro-broyeur électrique

Avant d'utiliser l'aspiro-broyeur électrique, lisez attentivement le manuel d'utilisation et les consignes de sécurité. Pour vous familiariser avec l'emplacement des différents réglages et commandes, comparez l'illustration ci-dessous avec votre aspiro-broyeur électrique. Conservez ce manuel pour pouvoir le consulter dans le futur.

1. Poignée
2. Bouton-poussoir de sécurité
3. Gâchette marche/arrêt
4. Manche pivotant
5. Cordon d'alimentation
6. Crochet de retenue de rallonge électrique
7. Bouton de pivotement du manche
8. Poignée auxiliaire
9. Poignée du sac de ramassage
10. Ergot de déverrouillage du sac de ramassage
11. Sac de ramassage
12. Fermeture à glissière du compartiment à poussière du sac de ramassage
13. Fermeture à glissière du compartiment à débris du sac de ramassage
14. Goulotte d'aspiration/entrée d'air
15. Roue avant (2)
16. Roue arrière (2)
17. Fentes de ventilation



Données techniques

Moteur	13 A	Capacité du sac de ramassage	40 l
Tension nominale	120 V ~ 60 Hz	Rapport de réduction par broyage	16:1
Régime à vide	12 800 tr/min	Hauteur de l'entrée d'air	Basse : 3,6 cm Haute : 5,6 cm
Débit d'air max. de l'aspirateur	29,3 m³/min	Taille des roues avant	10 cm
Vitesse max. du débit d'air	64 km/h	Taille des roues arrière	18 cm
Orifice d'aspiration des débris	20 cm x 14 cm	Poids net	6,4 kg
Longueur du manche	45 cm		

Déballage

Contenu de la caisse

- Aspiro-broyeur électrique
- Roue avant (2)
- Moyeu de roue avant (2)
- Sac de ramassage avec cadre de support
- Manuel et carte d'enregistrement

1. Retirez soigneusement l'aspiro-broyeur électrique de la caisse et inspectez-le pour vérifier que tous les éléments énumérés ci-dessus sont fournis.
2. Inspectez soigneusement le contenu afin de vous assurer qu'aucun élément ne s'est cassé ou n'a été endommagé pendant le transport. Si vous constatez que des pièces manquent ou sont endommagées, NE PAS retourner la caisse au magasin. Veuillez appeler le service à la clientèle Snow Joe® + Sun Joe® au 1-866-SNOWJOE (1-866-766-9563).

REMARQUE : ne jetez pas la caisse d'expédition et l'emballage tant que vous n'êtes pas prêt à utiliser l'aspirateur. L'emballage est fabriqué dans des matériaux recyclables. Éliminez ces matériaux de façon appropriée et conformément aux réglementations locales.

IMPORTANT! Le produit et son emballage ne sont pas des jouets. Ne laissez pas les enfants jouer avec les sacs en plastique, les feuilles métalliques ou les petites pièces. Ces éléments peuvent être avalés et risquent de provoquer une suffocation!

Assemblage

⚠ AVERTISSEMENT! Pour éviter de graves blessures, lire et comprendre toutes les consignes de sécurité fournies.

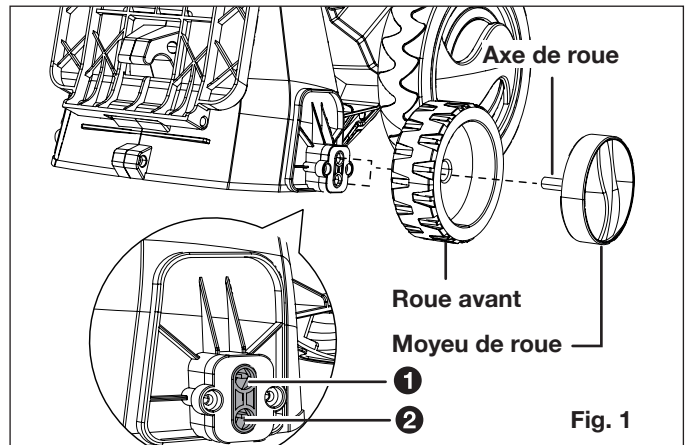
⚠ AVERTISSEMENT! Ne pas brancher sur une source d'alimentation électrique tant que l'assemblage n'est pas terminé. Ne pas tenir compte de cet avertissement peut être à l'origine d'un démarrage accidentel et, potentiellement, de graves blessures.

⚠ AVERTISSEMENT! Avant d'effectuer le moindre entretien, s'assurer que la machine est débranchée de la source d'alimentation électrique. Toute personne ne tenant pas compte de cet avertissement s'expose à de graves blessures.

⚠ AVERTISSEMENT! Pour éviter de se blesser gravement, avant d'attacher ou de détacher le sac de ramassage, s'assurer de ne pas enfoncer le bouton-poussoir de sécurité qui doit être à la position d'arrêt, que la machine est débranchée et que le rotor s'est complètement arrêté.

1. Assemblez la roue avant et le moyeu de roue comme l'indique l'illustration ci-dessous. Insérez l'axe de roue dans l'un des trous situé sur le côté de la goulotte d'aspiration, puis faites tourner le moyeu de roue dans le sens horaire jusqu'à ce qu'il ne puisse plus tourner (Fig. 1).

REMARQUE : réglez l'aspirateur pour que la hauteur de l'entrée d'air soit optimale en alignant l'axe de roue avec le trou à la hauteur correspondante.



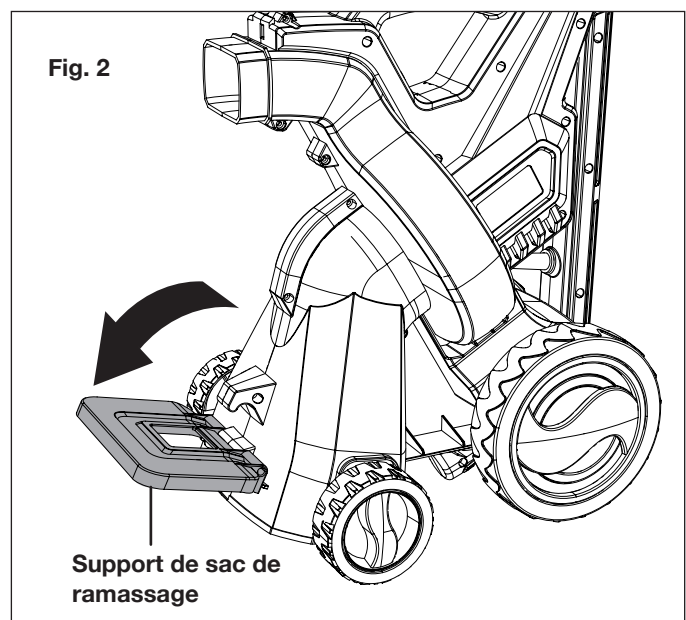
2. Répétez l'étape d'assemblage ci-dessus pour l'autre roue en vous assurant que les deux roues sont à la même hauteur.

Deux positions de réglage de la hauteur :

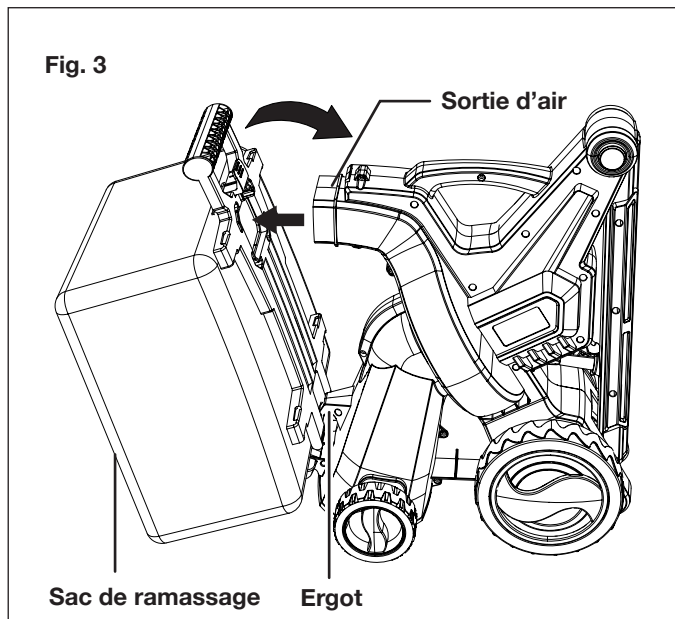
- 1) Basse : 3,6 cm
- 2) Haute : 5,6 cm

REMARQUE : choisissez la hauteur de l'entrée d'air en fonction du terrain sur lequel l'aspirateur va être utilisé. Pour travailler sur un sol plat, abaissez la hauteur de l'entrée d'air. Pour travailler sur une pelouse ou un sol irrégulier, augmentez la hauteur de l'entrée d'air.

3. Rabattez vers le bas le support du sac de ramassage attaché à la partie inférieure de la goulotte (Fig. 2).

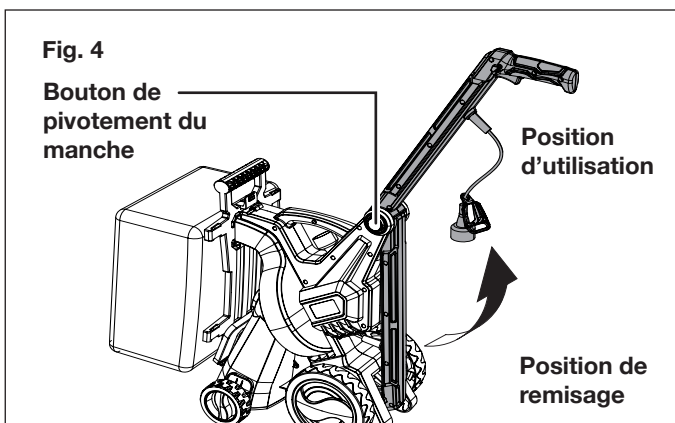


4. Pour attacher le sac de ramassage, placez d'abord la partie inférieure sur le support du sac de ramassage et insérez l'ergot de la goulotte dans le trou pratiqué dans la partie inférieure du sac de ramassage, puis alignez et insérez la sortie d'air dans le trou pratiqué dans la partie supérieure du sac. Appuyez fermement jusqu'à ce qu'il se mette en place en s'encliquetant (Fig. 3).



REMARQUE : le sac de ramassage doit être attaché en permanence pendant l'utilisation de la machine. La machine ne peut pas démarrer si le sac de ramassage n'est pas attaché de façon appropriée.

5. Appuyez sur le bouton de pivotement du manche et relevez le manche en même temps jusqu'à ce qu'il se mette en position d'utilisation en s'encliquetant (Fig. 4).



⚠ DANGER! Pour éviter de vous blesser en passant l'aspirateur, le manche doit être complètement relevé et en position d'utilisation.

Utilisation

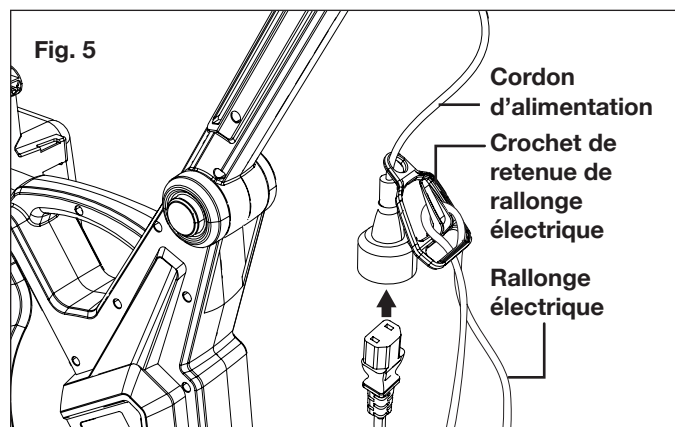
Démarrage et arrêt

Ne mettez pas en marche l'aspirateur tant qu'il n'est pas entièrement assemblé. Avant de mettre en marche la machine, inspectez toujours son cordon d'alimentation et la rallonge électrique pour vérifier qu'ils ne sont pas endommagés. Utilisez uniquement des cordons intacts.

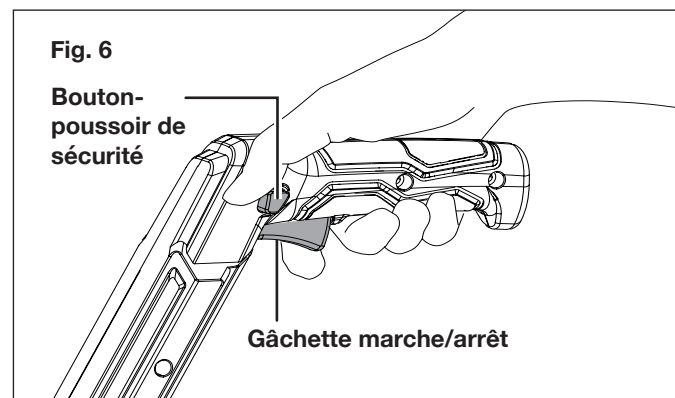
⚠ AVERTISSEMENT! Les cordons d'alimentation endommagés risquent de blesser gravement. Remplacer immédiatement tout cordon endommagé.

⚠ AVERTISSEMENT! Avant d'allumer l'aspirateur, s'assurer qu'il n'est en contact avec rien. Maintenir les pieds et les mains à une distance de sécurité de l'ouverture de la partie inférieure de la machine. Toute personne ne tenant pas compte de ces avertissements peut se blesser gravement.

1. Poussez la boucle de la rallonge électrique à travers la fente pratiquée du côté opposé au crochet de retenue de rallonge électrique et accrochez-la au crochet de retenue. Branchez la rallonge électrique dans le cordon de la machine (Fig. 5).



2. Pour démarrer la machine, appuyez sur le bouton-poussoir de sécurité tout en pressant la gâchette marche/arrêt. Une fois que la machine a démarré, relâchez le bouton-poussoir de sécurité et commencez à passer l'aspirateur (Fig. 6).



3. Pour arrêter la machine, relâchez la gâchette marche/arrêt (Fig. 6).

Conseils d'utilisation

L'aspiro-broyeur électrique est conçu pour nettoyer les revêtements durs comme les chemins revêtus, les cours intérieures et les terrasses. Il est uniquement adapté à l'aspiration de débris secs et légers comme de l'herbe, des feuilles, des petites brindilles ou des glands. L'aspiration de débris lourds, par exemple du métal, des pierres, des branches, du verre cassé et des feuilles mortes humides, est absolument exclue.

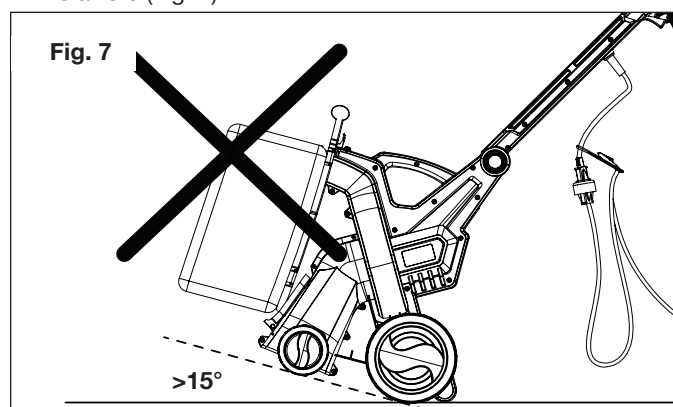
⚠️ AVERTISSEMENT! Utiliser l'aspiro-broyeur électrique uniquement à la lumière du jour ou sous un bon éclairage artificiel.

- Portez un équipement de protection individuelle pendant les séances de travail. Il s'agit de chaussures montantes, de lunettes de sécurité ou de protection, de protecteurs d'oreille, de pantalons longs et d'une chemise à manches longues.
- Assurez-vous que le sac de ramassage est correctement posé et que les fermetures à glissière sont fermées.
- Pour réduire le risque de pertes auditives associées aux niveaux sonores élevés, des protecteurs d'oreille sont nécessaires.
- Avant de démarrer, assurez-vous que le manche est relevé et encliqueté en mode d'utilisation.
- Dirigez toujours la rallonge électrique vers l'arrière, en l'éloignant de la machine.
- Utilisez votre matériel électrique uniquement à des heures raisonnables, ni tôt le matin ni tard le soir lorsque des personnes pourraient être dérangées. Conformez-vous aux horaires faisant l'objet d'ordonnances locales. Il est habituellement préconisé d'utiliser ce type de machines de 9 h à 17 h, du lundi au samedi.
- Faites preuve d'une extrême prudence lorsque vous utilisez la machine sur un terrain pentu.
- Avancez toujours en marchant. Ne courez jamais.
- Pour réduire le niveau sonore, limitez le nombre d'outils ou de machines électriques utilisés en même temps.
- Après avoir utilisé l'aspiro-broyeur ou un autre matériel pour pelouses et jardins, nettoyez-le. Éliminez convenablement les débris.

⚠️ AVERTISSEMENT! Pour éviter de se blesser gravement, porter en permanence des protecteurs d'oreille, des lunettes de protection ou de sécurité pendant l'utilisation de cette machine. Dans les endroits poussiéreux, porter un protecteur facial ou un masque antipoussières.

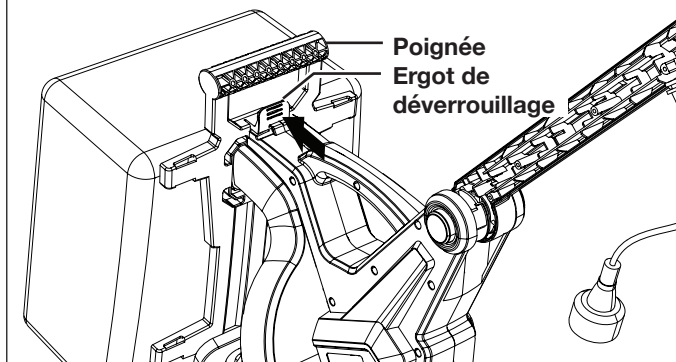
Procédures élémentaires d'utilisation de l'aspiro-broyeur

- Assurez-vous que l'aspirateur repose de façon stable sur ses quatre roues et qu'elles sont en contact avec le sol.
REMARQUE : la machine ne démarrera pas si l'une des roues arrière ne touche pas le sol.
- Tenez-vous toujours derrière la machine. Ne mettez pas en marche la machine lorsque des personnes sont agenouillées ou assises à proximité.
- En tenant fermement la poignée, faites rouler lentement et sans à-coups la machine pour placer l'entrée d'air sur les débris à aspirer. Les débris seront aspirés dans le sac. Les petites feuilles et les brindilles seront broyées en passant à travers le rotor. Pour que le sac dure plus longtemps et que le rendement soit meilleur, videz le sac fréquemment.
- Pendant l'utilisation de l'aspirateur, ne poussez pas le manche vers le bas pour basculer l'avant de la machine. Si la machine s'incline de plus de 15 degrés, le moteur s'arrête (Fig. 7).



- Lorsque vous passez l'aspirateur, faites en sorte que les fentes de ventilation ne soient jamais obstruées. Si les fentes de ventilation sont obstruées, la machine surchauffera.
- Lorsque le sac est plein, la puissance d'aspiration diminue. Relâchez la gâchette marche/arrêt et débranchez la machine de la source d'alimentation électrique. Pour détacher le sac de ramassage, appuyez sur l'ergot de déverrouillage et tirez en même temps le sac par la poignée pour le dégager de la machine (Fig. 8).

Fig. 8



- Pour vider le sac, tenez la poignée en plastique et ouvrez les deux fermetures à glissière du sac. Secouez-le pour vider tous les débris et toutes les feuilles.

REMARQUE : la capacité de filtration de poussière de la machine permet de séparer les débris broyés de la poussière fine. Pour un rendement optimal, il est recommandé de vider les deux compartiments après chaque utilisation.

⚠ AVERTISSEMENT! Pour éviter de se blesser gravement, avant d'attacher ou de détacher le sac de ramassage, s'assurer de ne pas enfoncer le bouton-poussoir de sécurité qui doit être à la position d'arrêt, que la machine est débranchée et que le rotor s'est complètement arrêté.

Entretien

Pour commander des pièces de rechange ou des accessoires d'origine pour l'aspiro-broyeur électrique Sun Joe® SBJ807E, veuillez vous rendre sur le site www.sunjoe.com ou communiquer avec le service à la clientèle Snow Joe® + Sun Joe® au 1-866-SNOWJOE (1-866-766-9563).

⚠ AVERTISSEMENT! Débrancher la rallonge électrique avant d'effectuer la moindre tâche d'entretien.

Si la rallonge électrique est branchée dans la machine, quelqu'un pourrait accidentellement la mettre en marche pendant que vous intervenez dessus, ce qui pourrait entraîner de graves blessures.

Déblocage de l'entrée ou de la sortie

Pendant le processus d'aspiration, certains débris, par exemple un chiffon, de la ficelle ou des bâtons de gros diamètre, peuvent obstruer et bloquer l'entrée ou la sortie d'air. Un dispositif de protection thermique qui est intégré à l'aspirateur coupera l'alimentation électrique du moteur pour l'empêcher d'être endommagé en cas de surchauffe. Si ce dispositif se déclenche, suivez les instructions ci-dessous pour désobstruer l'entrée ou la sortie d'air.

⚠ AVERTISSEMENT! Pour éviter de se blesser gravement, avant de désobstruer l'entrée d'air, s'assurer que le moteur est arrêté et que la machine est débranchée.

⚠ AVERTISSEMENT! Pour éviter de se blesser gravement, toujours porter des gants pour se protéger de tous les objets tranchants.

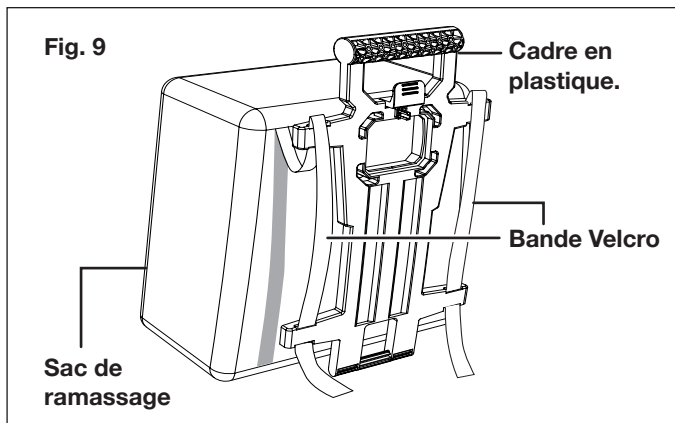
1. Relâchez la gâchette marche/arrêt et patientez jusqu'à ce que la machine se soit complètement arrêtée.
2. Débranchez la machine.
3. Retirez le sac de ramassage.
4. Retournez la machine sur son flanc pour pouvoir accéder à l'entrée d'air. En utilisant des gants de protection, retirez soigneusement ce qui obstrue la goulotte de l'entrée d'air. Inspectez pour vous assurer que rien n'a été endommagé.
5. Remplacez le sac de ramassage. Patientez trois minutes pour laisser le moteur se refroidir.
6. Rebranchez la machine et démarrez-la. L'aspirateur fonctionnera à nouveau normalement.

Nettoyage de la machine

⚠ AVERTISSEMENT! Pour éviter de se blesser gravement, avant de nettoyer la machine ou d'intervenir dessus, toujours l'arrêter et la débrancher.

Utilisez une petite brosse pour nettoyer l'extérieur de la machine. N'utilisez pas de détergents ou de produits nettoyants forts qui contiennent des huiles aromatiques (p. ex., pin et citron) ou de solvants puissants, par exemple le kérosène, car ces substances peuvent endommager le caisson en plastique ou les poignées. Essuyez l'humidité à l'aide d'un chiffon doux et sec.

1. Videz le sac après chaque utilisation pour éviter les détériorations et l'obstruction du débit d'air qui réduisent le rendement du broyeur.
2. Portez des lunettes de protection et un masque antipoussières. Au besoin, nettoyez le sac. Après l'avoir vidé, retournez le sac sur lui-même et secouez-le vigoureusement pour faire tomber la poussière et les débris restants.
3. Nettoyez le sac une fois par an, ou plus souvent si nécessaire. Suivez les étapes ci-dessous :
 - i. Retirez le sac.
 - ii. Détachez les deux bandes Velcro utilisées pour attacher le sac sur le cadre de support et relâchez le cordon qui est utilisé pour attacher le sac sur l'encoche supérieure du cadre. Retirez le sac de ramassage du cadre (Fig. 9).



- iii. Retournez le sac sur lui-même.
- iv. Suspendez-le.
- v. Lavez-le soigneusement au jet.
- vi. Laissez-le suspendu pour qu'il sèche.
- vii. Retournez le sac sur lui-même et replacez-le sur la machine.

Remisage

1. Examinez minutieusement l'aspiro-broyeur électrique pour vérifier qu'il n'y a aucune pièce usée, desserrée ou endommagée. Si vous devez faire réparer ou remplacer une pièce, communiquez avec un revendeur Snow Joe® + Sun Joe® agréé ou appelez le service à la clientèle Snow Joe® + Sun Joe® au 1-866-SNOWJOE (1-866-766-9563) pour de l'aide.
2. Examinez minutieusement la rallonge électrique pour vérifier qu'elle ne présente aucun signe d'usure excessive ou d'endommagement. Si elle est usée ou endommagée, remplacez-la immédiatement.
3. Débranchez la rallonge électrique de l'aspirateur avant de le remiser.
4. Remisez à l'intérieur la rallonge avec l'aspirateur, dans un endroit frais, sec et sous clé, hors de portée des enfants et des animaux.

REMARQUE : au cas où vous souhaiteriez en acheter, des dispositifs de retenue pour rallonges électriques sont offerts dans le commerce.

Entretien, réparations et assistance technique

Si votre aspiro-broyeur électrique Sun Joe® SBJ807E nécessite une réparation ou un entretien, veuillez appeler le service à la clientèle Snow Joe® + Sun Joe® au 1-866-SNOWJOE (1-866-766-9563).

Numéros de modèle et de série

Lorsque vous communiquez avec l'entreprise pour commander des pièces ou prendre rendez-vous pour une intervention technique chez un revendeur agréé, vous devez fournir les numéros de modèle et de série qui se trouvent sur l'étiquette autocollante apposée sur le caisson de la machine. Copiez ces numéros dans l'espace réservé ci-dessous.

Veuillez noter les numéros suivants sur le caisson ou la poignée de votre nouvelle machine :

N° de modèle :

S	B	J	J	8	10	7	E												
---	---	---	---	---	----	---	---	--	--	--	--	--	--	--	--	--	--	--	--

N° de série :

--	--	--	--	--	--	--	--	--	--	--	--	--	--	--	--	--	--	--	--

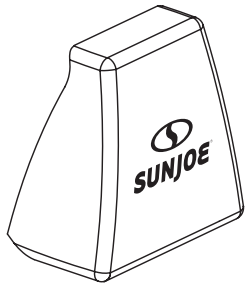
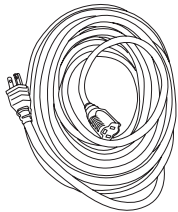
Dépannage

⚠️ AVERTISSEMENT! Toujours débrancher le cordon d'alimentation avant d'effectuer un réglage quelconque, un entretien ou des réparations sur votre aspirateur électrique.

Problème	Causes possibles	Solutions
La machine ne veut pas aspirer	<ol style="list-style-type: none"> 1. Sac plein. 2. Entrée/sortie d'air obstruée. 3. Rotor bloqué. 4. Sac sale. 5. Sac déchiré. 6. Fermeture à glissière du sac ouverte. 7. Machine débranchée. 	<ol style="list-style-type: none"> 1. Videz le sac. 2. Retirez ce qui obstrue. 3. Retirez ce qui obstrue. 4. Nettoyez le sac. 5. Remplacez le sac. 6. Fermez les fermetures à glissière du sac. 7. Branchez dans une source d'alimentation électrique ou une rallonge électrique.
La machine ne veut pas démarrer	<ol style="list-style-type: none"> 1. La machine est débranchée. 2. La gâchette marche/arrêt n'est pas pressée de façon appropriée. 3. Gâchette marche/arrêt défectueuse. 4. Le circuit électrique de la maison a peut-être disjoncté. 5. Le sac de ramassage n'est pas attaché de façon appropriée. 6. Le manche n'est pas complètement relevé. 7. La machine est basculée. 8. La machine surchauffe. 	<ol style="list-style-type: none"> 1. Vérifiez si la rallonge électrique est bien branchée dans une prise électrique. 2. Appuyez sur le bouton-poussoir de sécurité, puis pressez la gâchette marche/arrêt. 3. Appelez le service à la clientèle Snow Joe® + Sun Joe® au 1-866-SNOWJOE (1-866-766-9563). 4. Vérifiez le panneau à disjoncteurs du secteur et réarmez au besoin. 5. Attachez le sac de ramassage de façon appropriée. 6. Relevez le manche jusqu'à ce qu'il se mette en place en s'encliquetant. 7. Placez la machine sur le sol de façon stable, les quatre roues touchant le sol. 8. Débranchez la machine, désobstruez les ouvertures et laissez-la refroidir quelques instants.

Accessoires en option

⚠️ AVERTISSEMENT! TOUJOURS utiliser des pièces de rechange et des accessoires Snow Joe® + Sun Joe® homologués. NE JAMAIS utiliser des pièces de rechange ou des accessoires qui ne sont pas destinés à être utilisés avec cet aspiro-broyeur électrique. Communiquez avec Snow Joe® + Sun Joe® si vous n'êtes pas sûr que l'utilisation d'une pièce de rechange ou d'un accessoire particulier avec votre aspiro-broyeur électrique soit sans danger. L'utilisation de tout autre accessoire ou de toute autre pièce détachée peut être dangereuse et pourrait provoquer des dommages corporels ou des détériorations d'origine mécanique.

Accessoires	Description	Modèle
<p>①</p> 	Sac de ramassage de 40 l	SBJ807E-BAG
<p>②</p> 	Rallonge électrique de 15 m et de calibre 14 Snow Joe® + Sun Joe® SJTW-A à extrémités éclairées.	PJEXT50-B

REMARQUE : les accessoires sont sous réserve de changements sans que Snow Joe® + Sun Joe® soit pour autant tenue de donner un préavis desdits changements. Les accessoires peuvent être commandés en ligne sur le site sunjoe.com ou par téléphone en appelant le service à la clientèle Snow Joe® + Sun Joe® au 1-866-SNOWJOE (1-866-766-9563).



LA PROMESSE DE SNOW JOE® + SUN JOE® À SES CLIENTS

Vous êtes notre client et Snow Joe, LLC (« Snow Joe ») **SE MET EN QUATRE** pour vous servir. Nous nous efforçons de vous rendre l'utilisation de nos produits aussi plaisante que possible. Malheureusement, il peut arriver qu'un produit Snow Joe®, Sun Joe® ou Aqua Joe (« Produit ») ne fonctionne pas ou se casse dans des conditions d'utilisation normales. Nous pensons qu'il est important que vous sachiez ce que vous pouvez attendre de nous. C'est pourquoi nous avons une garantie limitée (« Garantie ») pour nos Produits.

NOTRE GARANTIE :

Snow Joe déclare et garantit que les Produits neufs, d'origine, électriques ou non électriques sont exempts de vices de matière ou de fabrication et, lorsqu'ils font l'objet d'une utilisation résidentielle et ménagère ordinaire, les garantit pendant une période de deux ans à compter de la date d'achat au détail par l'acheteur primitif auprès de Snow Joe ou d'un des revendeurs agréés de Snow Joe, preuve d'achat à l'appui. Étant donné que Snow Joe ne peut pas contrôler la qualité de ses Produits vendus par des revendeurs non agréés, sauf stipulation contraire de la loi, la présente Garantie ne couvre pas les Produits achetés auprès de vendeurs non agréés. Si votre Produit ne fonctionne pas ou si une pièce spécifique couverte par les modalités de la présente Garantie fait l'objet d'un problème quelconque, Snow Joe choisira (1) de vous envoyer une pièce de rechange gratuite, (2) de remplacer le Produit par un produit neuf ou comparable, gratuitement, ou (3) de réparer le Produit. Génial, n'est-ce pas?

La présente Garantie vous donne des droits judiciaires spécifiques, et vous pouvez également avoir d'autres droits qui peuvent varier d'une province ou d'un territoire à l'autre.

ENREGISTREMENT DU PRODUIT :

Snow Joe vous recommande vivement d'enregistrer votre Produit. Vous pouvez l'enregistrer en ligne sur le site snowjoe.com/register, ou en imprimant et en envoyant par courrier une carte d'enregistrement offerte en ligne sur notre site Web, ou par téléphone en appelant notre Service à la clientèle au **1-866-SNOWJOE (1-866-766-9563)**, ou encore en nous envoyant un courriel à l'adresse help@snowjoe.com. Le fait de ne pas enregistrer l'achat de votre Produit n'a aucune conséquence sur vos droits concernant la garantie. Toutefois, l'enregistrement de votre Produit permettra à Snow Joe de mieux répondre au moindre besoin que vous pourriez avoir en matière de service à la clientèle.

QUI PEUT REVENDIQUER LA COUVERTURE DE LA GARANTIE?

La présente Garantie est étendue par Snow Joe à l'acheteur et propriétaire primitif du Produit.

QU'EST-CE QUI N'EST PAS COUVERT?

La présente Garantie ne s'applique pas si le Produit a été utilisé commercialement, pour des travaux non résidentiels ou s'il fait l'objet d'une location. La présente Garantie ne s'applique pas non plus si le Produit a été acheté auprès d'un revendeur non agréé. La présente garantie ne couvre pas non plus les changements cosmétiques qui n'affectent pas le rendement. Les pièces d'usure comme les courroies, les tarières, les chaînes et les dents ne sont pas couvertes au titre de la présente Garantie et peuvent être achetées en ligne sur le site snowjoe.com ou en appelant le **1-866-SNOWJOE (1-866-766-9563)**.



A series of 20 horizontal lines, evenly spaced, intended for writing or drawing.





A series of 20 horizontal lines spaced evenly down the page, providing a template for handwriting practice.



sunjoe.com